

JVC

SERVICE MANUAL

COMPACT COMPONENT SYSTEM

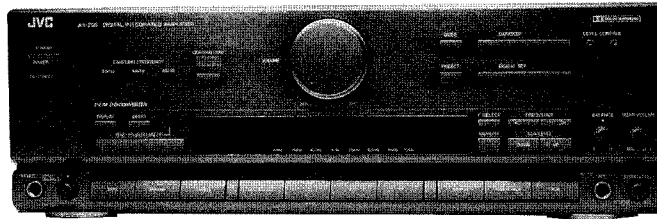
DX-E95TN

(UNIT No. AX-E95TN)

〒103東京都中央区日本橋本町1-3-14

日本ビクター株式会社

サービス部 部品管理課



* For instruction manual, please refer to the DX-E95TN (SM. No. 20277).

Contents

Safety Precautions	1-2	Connection Diagram	1-22
Technical Explanation	1-3	Block Diagram	Insertion
Disassembly Procedures	1-4	Printed Circuit Boards	Insertion
Description of Major LSIs	1-5	Schematic Diagrams	Insertion
Internal Block Diagram of Other ICs	1-11	Parts List	Separate-volume Insertion
Internal Connections of the FL Display	1-21		

Safety Precautions

1. The design of this product contains special hardware and many circuits and components specially for safety purposes. For continued protection, no changes should be made to the original design unless authorized in writing by the manufacturer. Replacement parts must be identical to those used in the original circuits. Services should be performed by qualified personnel only.
2. Alterations of the design or circuitry of the product should not be made. Any design alterations of the product should not be made. Any design alterations or additions will void the manufacturer's warranty and will further relieve the manufacture of responsibility for personal injury or property damage resulting therefrom.
3. Many electrical and mechanical parts in the products have special safety-related characteristics. These characteristics are often not evident from visual inspection nor can the protection afforded by them necessarily be obtained by using replacement components rated for higher voltage, wattage, etc. Replacement parts which have these special safety characteristics are identified in the Parts List of Service Manual. Electrical components having such features are identified by shading on the schematics and by (Δ) on the Parts List in the Service Manual. The use of a substitute replacement which does not have the same safety characteristics as the recommended replacement parts shown in the Parts List of Service Manual may create shock, fire, or other hazards.
4. The leads in the products are routed and dressed with ties, clamps, tubings, barriers and the like to be separated from live parts, high temperature parts, moving parts and/or sharp edges for the prevention of electric shock and fire hazard. When service is required, the original lead routing and dress should be observed, and it should be confirmed that they have been returned to normal, after re-assembling.
5. Leakage current check (Electrical shock hazard testing)
After re-assembling the product, always perform an isolation check on the exposed metal parts of the product (antenna terminals, knobs, metal cabinet, screw heads, headphone jack, control shafts, etc.) to be sure the product is safe to operate without danger of electrical shock.

Do not use a line isolation transformer during this check.

- Plug the AC line cord directly into the AC outlet. Using a "Leakage Current Tester", measure the leakage current from each exposed metal parts of the cabinet, particularly any exposed metal part having a return path to the chassis, to a known good earth ground. Any leakage current must not exceed 0.5mA AC (r.m.s.).

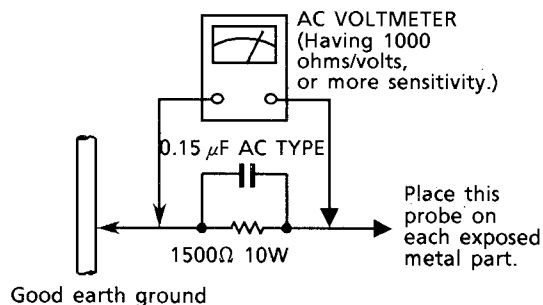
- Alternate check method

Plug the AC line cord directly into the AC outlet. Use an AC voltmeter having, 1,000 ohms per volt or more sensitivity in the following manner. Connect a 1,500 Ω 10 W resistor paralleled by a 0.15 μ F AC-type capacitor between an exposed metal part and a known good earth ground.

Measure the AC voltage across the resistor with the AC voltmeter.

Move the resistor connection to each exposed metal part, particularly any exposed metal part having a return path to the chassis, and measure the AC voltage across the resistor.

Now, reverse the plug in the AC outlet and repeat each measurement. Any voltage measured must not exceed 0.75 V AC (r.m.s.). This corresponds to 0.5 mA AC (r.m.s.).



Warning

1. This equipment has been designed and manufactured to meet international safety standards.
2. It is the legal responsibility of the repairer to ensure that these safety standards are maintained.
3. Repairs must be made in accordance with the relevant safety standards.
4. It is essential that safety critical components are replaced by approved parts.
5. If mains voltage selector is provided, check setting for local voltage.

Technical Explanation

■ Air-cooling Fan

1. Outline

In the AX-E95TN, the adoption of a motor-driven air cooling fan enables a miniaturized compact/high power as well as a compact heat sink. This cooling fan rotates at the speed of two stages depending on the music signal level and heat sink temperature.

2 Fan operation

- ① When the speaker output continues for 1 minute 50 seconds at more than 8V, or if the thermistor temperature continues for 1 minute 50 seconds at 85 or higher degrees centigrade, the fan rotates at a low speed.
- ② When the speaker output continues for 1 minute at more than 22V, or if the thermistor temperature continues for 1 minute at 95 or higher degrees centigrade.
- ③ If the signal detection is turned off in rotation, then the air cooling fan stops 1 minute later.
- ④ If the heat sink operation continues for 1 minutes at the temperature of 120 or higher degrees, then the speaker relay is turned off.

3 Detection circuit

○ Detection of music peak

To detect a music peak, a signal from the main speaker signal line is detected and input to the 10 pin of A/D converter (IC952).

- If the speaker output is of 8V, then the 10 pin of IC952 is at 0.25V.
- If the speaker output is of 22V, then the 10 pin of IC952 is at 0.75V.

○ Detection of thermistor temperature

A differential amplifier consisting of Q504, Q505 and SR500 is available for the thermistor-operated temperature detection circuit. As a resistance value changes with the thermistor temperature function, voltage applied to the 10 pin of A/D converter (IC952) also change to activate the air cooling fan.

- Under a thermistor temperature of 85 degrees, the 10 pin of IC952 is at 0.25V.
- Under a thermistor temperature of 95 degrees, the 10 pin of IC952 is at 0.75V.

As described above, at a voltage applied to the 10 pin of IC952, the data is converted into serial data, output from the 5 pin, and then output to the system controller (IC900).

This data results in an output of "H" from the 15 pin or 16 pin of IC650 which controls the low/high the Q017 and Q022, and controls the fan motor.

Disassembly Procedures

■ Removing the Top Cover

1. Remove the screws on each side and the 4 screws on the rear side.
2. Pull the top cover slightly backward and lift it while spreading the backs of the left and right sides to remove it.

■ Removing the Front Panel Assembly

1. Remove the 5 black colored screws (A) fixing bottom of the front panel.
2. Remove the connectors connected to the front panel.

■ Removing the Front Panel

1. Remove the front panel assembly.
2. Remove each volume knob.
3. Remove the 2 screws (B) fixing the front base and the front panel.
4. Remove the 4 hooks (C) fixing front panel, then remove the front panel.

■ Removing the Heat Sink Assembly

1. Remove the screw (D) fixing the rear panel.
2. Remove the 2 screws (E) fixing the heat sink assembly.
3. Remove the connector. (J500,J501,502,503)

Notice

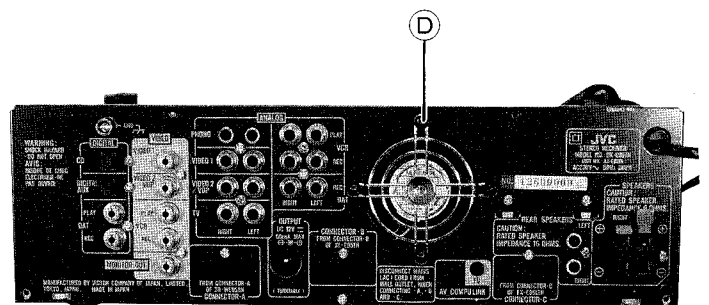
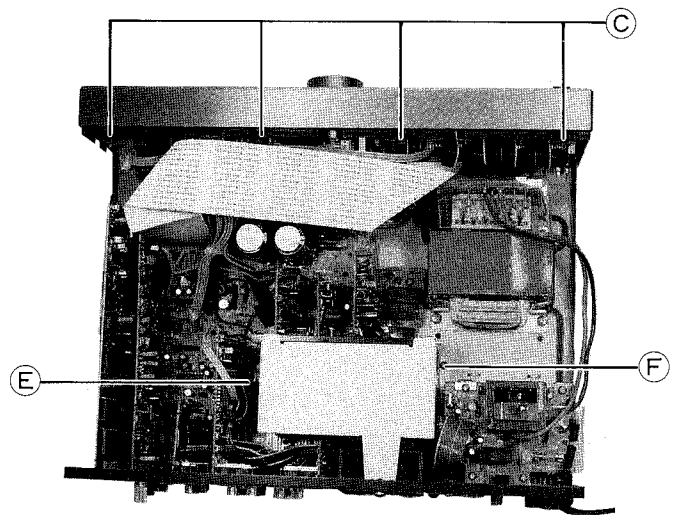
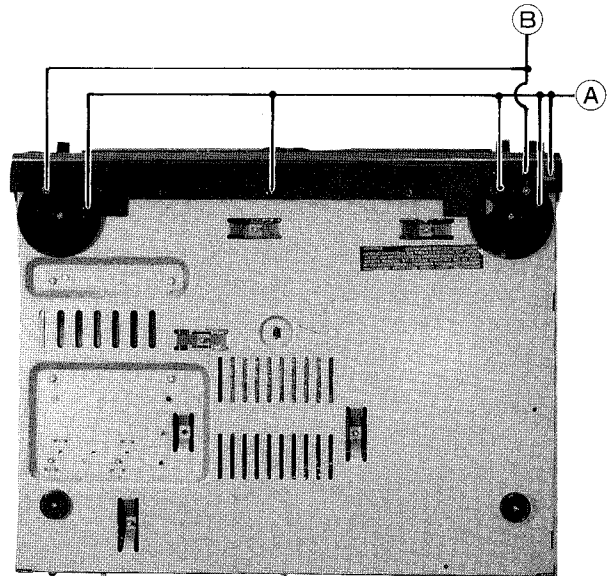
Take care the remove of the connectors to prevent damage of main P.C.Board because they are installed directly between the main and the power amplifier P.C.Board.

■ Removing the Main P.C.Board

1. Remove the P.C.Board(ENH-183-4).
2. Remove the heat sink assembly.
3. Remove the 6 screws fixing the main P.C.Board(ENH-183-1).

■ Removing the Balance and the Rear volume

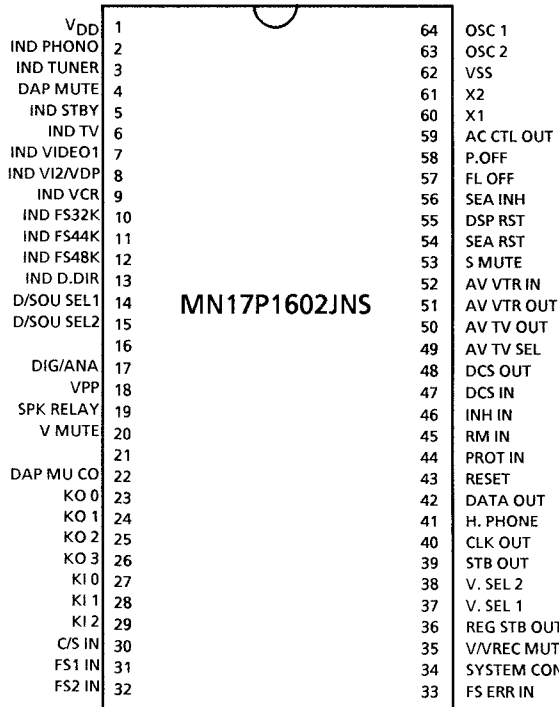
1. Remove the front panel and the ornament.
2. Remove the nut fixing a shaft of main volume to front panel.
3. Remove the screws fixing the balance and the rear volume P.C.Board.



Description of Major LSIs

■ MN17P1602JNS (IC930) : System Controller

1. Terminal Layout



2. Key matrix

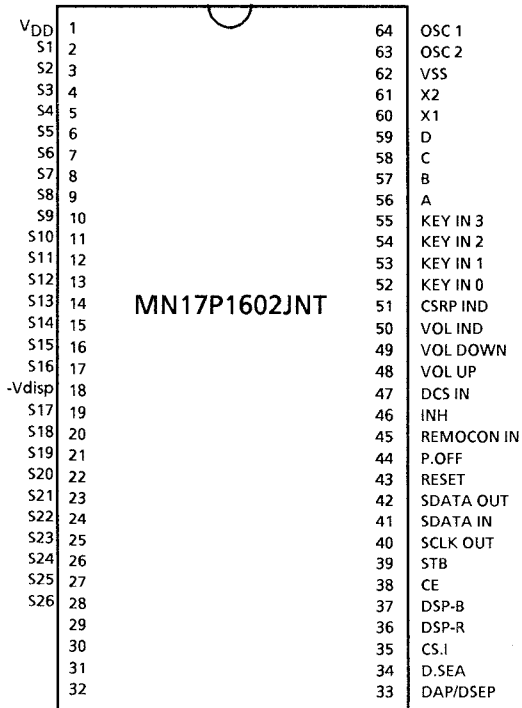
	KO-0	KO-1	KO-2	KO-3
KI-0	POWER	DAT	VIDEO 2 / VDP	TAPE
KI-1	D.DIRECT	TV	VCR	PHONO
KI-2	CD	VIDEO 1	DIGITAL	TUNER

3. Pin Functions

NO.	symbol	I/O	Functions	NO.	symbol	I/O	Functions
1	VDD	-	Power supply (+ 5V)	33	FS ERR IN	I	FS ERR control input
2	IND PHONO	O	Indicator control signal output	34	SYSTEM CON	I	Power on / off control
3	IND TUNER	O	“	35	VTR/VREC MUT	O	Rec mute signal output
4	DAP MUTE IN	O	“	36	REG.STB OUT	O	“
5	IND STANDBY	O	“	37	VIDEO SEL1	O	Video output control
6	IND TV	O	“	38	VIDEO SEL2	O	“
7	IND VIDEO1	O	“	39	STB. OUT	O	Strobe signal output to IC302,303
8	IND VID2/VDP	O	“	40	CLK OUT	O	Serial clock output to IC302,303
9	IND VCR	O	“	41	H.PHONE IN	O	Head phone muting signal output
10	IND FS32K	O	“	42	DATA OUT	O	Serial data output to IC302,303
11	IND FS44K	O	“	43	RESET IN	I	Reset signal input
12	IND FS48K	O	“	44	PROTECTOR IN	I	Protection detect signal input
13	IND D.DIRECT	O	“	45	RM CON IN	I	Remote control signal input
14	DSOURCE SEL1	O	Digital source selector control	46	INH IN	I	Inhibit signal input
15	DSOURCE SEL2	O	Digital source selector control	47	DCS IN	I	Compu-link signal output
16	NONE	O	Non connection	48	DCS OUT	I	Compu-link signal input
17	DIG/ANA	O	Control of IC401	49	AV.TV SEL	O	Control the remote signal to TV
18	VPP	-	Connect to ground	50	AV.TV OUT	O	AV Compulink signal output for TV
19	SPK RLY	O	Speaker relay control signal output	51	AV.VTR OUT	O	AV Compu-link signal output for VTR
20	V.MUTE	O	Video muting control	52	AV.VTR IN	I	AV Compu-link signal input for VTR
21	RM IND	O	Indicator control signal output	53	S.MUTE	O	Muting signal output
22	DAP MUTE CON	O	DAP out muting control	54	SEA RESET	O	Reset signal output
23	KO 0	O	Key matrix output	55	DSP RESET	O	Reset signal output to IC650
24	KO 1	O	“	56	SEA INH	O	Inhibit signal output
25	KO 2	O	“	57	FL OFF OUT	O	FL indication control output
26	KO 3	O	“	58	DECK POWER	O	Power off signal output
27	KI 0	I	Key matrix input	59	AC CTL OUT	O	Power supply control output
28	KI 1	I	“	60	X1	--	Connect to ground
29	KI 2	I	“	61	X2	--	Non connection
30	C/S IN	I	“	62	VSS	--	Connect to ground
31	FS1 IN	-	FS1 indicator control input	63	OSC2	O	Output of Xtal oscillation circuit
32	FS2 IN	-	FS2 indicator control input	64	OSC1	I	Input to Xtal oscillation circuit

■ MN17P1602JNT (IC900) : FL & System controller

1. Terminal Layout



2. Key matrix

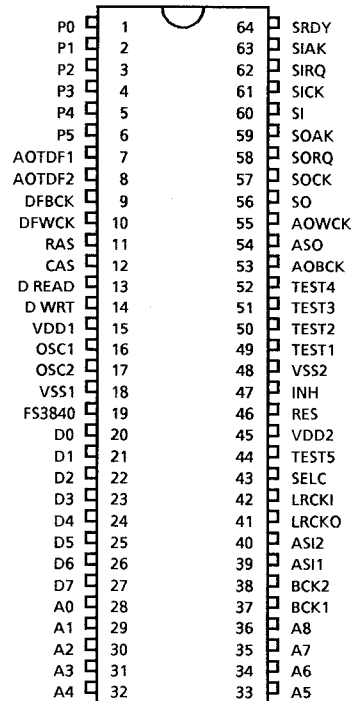
	Y0	Y1	Y2	Y3
KI-0	DISPLAY	SEA ON/OFF	MEMORY	LEVEL -
KI-1	DEMO	PRESET	FREQ SELECT	LEVEL +
KI-2	L.CSRP	DAP ON/OFF	DAP -	f ►
KI-3		MODE	DAP +	f ◀

3. Pin Functions

NO.	symbol	I/O	Functions	NO.	symbol	I/O	Functions
1	VDD	-	Power supply (+ 5V)	33	SH3	I	DAP / DSEP indicator signal output
2	S1	O	FL segment control output	34	SH4	I	D.sea indicator signal output
3	S2	O	/"	35	CS.1	O	Connect to ground
4	S3	O	/"	36	DSP-R	O	DSP-REQ signal output to IC650
5	S4	O	/"	37	DSP-B	O	DSP-BUSY signal output to IC650
6	S5	O	/"	38	CE	O	Chip enable signal output to IC952
7	S6	O	/"	39	STB	O	Strobe signal output to IC951
8	S7	O	/"	40	SCLK OUT	O	Serial clock output to IC951,952,650
9	S8	O	/"	41	SDATA IN	O	Serial data input from IC951,952
10	S9	O	/"	42	SDATA OUT	O	Serial data output to IC951,952,650
11	S10	O	/"	43	RESET	I	Reset signal input
12	S11	O	/"	44	P.OFF	I	Power off signal input from IC930
13	S12	O	/"	45	REMOCON IN	I	Remote control signal input
14	S13	O	/"	46	INH	I	Inhibit signal input
15	S14	O	/"	47	DCS IN	I	Compulink signal input
16	S15	O	/"	48	VOL.UP	I	Volume control signal output
17	S16	O	/"	49	VOL.DOWN	O	/"
18	-Vdisp	-	Power supply for FL display	50	VOL.IND	O	Volume indicator control output
19	S17	O	FL segment control output	51	L. CSRP	O	Learning CSRP indicator control output
20	S18	O	/"	52	KEY IN0	I	Key matrix input
21	S19	O	/"	53	KEY IN1	O	/"
22	S20	O	/"	54	KEY IN2	O	/"
23	S21	O	/"	55	KEY IN3	O	/"
24	S22	O	/"	56	A	O	FL grid control output
25	S23	O	/"	57	B	O	/"
26	S24	O	/"	58	C	O	/"
27	S25	I	/"	59	D	O	/"
28	S26	I	/"	60	X1	--	Connect to ground
29	J1	I	JOY/SHUTTLE signal input	61	X2	--	Non connection
30	J2	I	/"	62	VSS	--	Connect to ground
31	SH1	I	/"	63	OSC 2	O	Output of Xtal oscillation circuit
32	SH2	I	/"	64	OSC 1	I	Input to Xtal oscillation circuit

■ LC83010N (IC651) : DSP (Digital Signal Processor)

1. Terminal layout

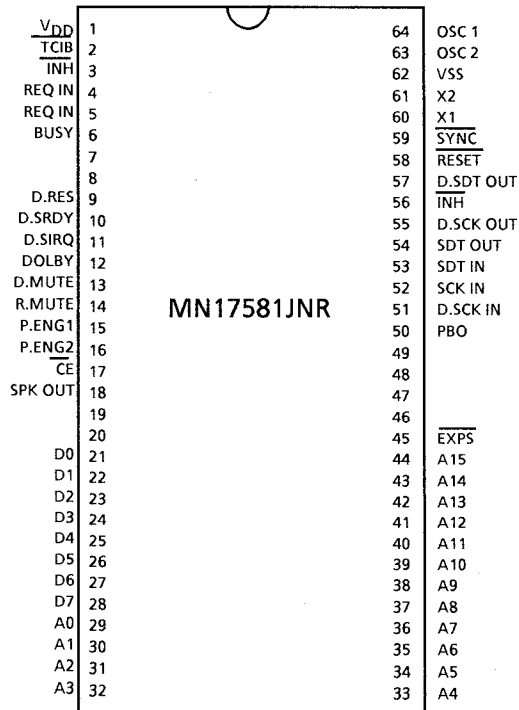


2. Pin functions

Pin No.	Symbol	I/O	Functions
1~6	P0~P5	I/O	Not used
7,8	AOTDF1 / AOTDF2	O	Audio serial data output.
9	DFBCK	O	Bit clock for AOTDF1 / AOTDF2 output.
10	DFWCK	O	Not used
11	RAS	O	ROW ADDRESS STROBE : Signal output when accessing external D-RAM.
12	CAS	O	COLUMN ADDRESS STROBE : Signal output when accessing external D-RAM.
13	D READ	O	Data read signal output when accessing external D-RAM.
14	D WRT	O	Data write signal output when accessing external D-RAM.
15,45	VDD	---	Power supply (+ 5V)
16	OSC1	I	External clock input. (384fs)
17	OSC2	O	Not used
18,48	VSS	---	Ground
19	FS3840	O	384fs output
20~27	DO~D7	I/O	Data input / output between external D-RAM and these pins.
28~36	A0~A8	O	Address output for external D-RAM.
37	BCK1	I	Bit clock for ASI 1 input.
38	BCK2	I/O	Bit clock for ASI 2 input.
39	ASI 1	I	Audio data serial input
40	ASI 2	I	Audio data serial input
41	LRCKO	O	L/R channel selectable signal output.(L:R-ch , H:L-ch)
42	LRCKI	I	L/R channel selectable signal input.(L:R-ch , H:L-ch)
43	SELC	I	Oscillator selectable signal input. (L:external , H:internal)
44	TEST 5	O	Output for TEST.
46	RES	I	Reset input
47	INH	I	Inhibit signal input.
49~52	TEST1~TEST4	I	Input for test. Connect to ground.
53	AOBCK	O	Bit clock for ASO output
54	ASO	O	Audio data serial output
55	AOWCK	O	Not used
56	SO	O	Not used
57	SOCK	I	Not used
58	SORQ	I	Request signal input for serial output
59	SOAK	O	Not used
60	SI	I	Serial data input from control micro computer.
61	SICK	I	Serial clock input for SI input.
62	SIRQ	I	Request signal input for serial input.
63	SIAK	O	Signal output which indicates that the serial input is on the execution.
64	SRDY	I	Ready signal input which indicates that the serial data input from control micro computer is an end.

■ MN17581JNR (IC650) : DSP Controller

1. Terminal Layout



2. Pin Functions

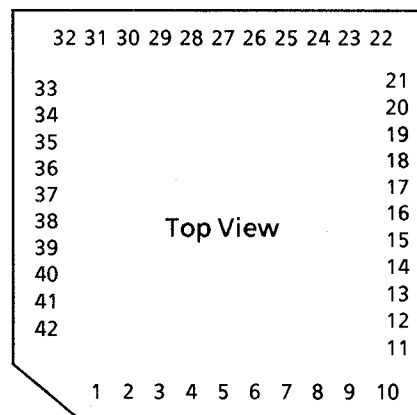
NO.	symbol	I/O	Functions	NO.	symbol	I/O	Functions
1	VDD	-	Power supply (+ 5V)	33	A4	I	P-ROM Add output
2	TCIB	O	Connect to ground	34	A5	I	/"
3	INH	O	Inhibit signal input	35	A6	O	/"
4	REQ IN	O	DSP-R signal input from IC900	36	A7	O	/"
5	REQ IN	O	/"	37	A8	O	/"
6	BUSY	O	DSP-B signal output to IC900	38	A9	O	/"
7		O	Not used	39	A10	O	/"
8		O	/"	40	A11	O	/"
9	D.RES	O	Reset signal output to IC651	41	A12	O	/"
10	D.SRDY	O	SRDY signal output to IC651	42	A13	O	/"
11	D.SIRQ	O	SIRQ signal output to IC651	43	A14	I	/"
12	DOLBY	O	Dolby control signal output	44	A15	I	/"
13	D.MUTE	O	Mute signal output	45	EXPS	I	Pull up
14	R.MUTE	O	/"	46		I	Not used
15	P.ENG1	O	Fan control signal output	47		I	/"
16	P.ENG2	O	/"	48		I	/"
17	CE	O	CE signal output to IC659	49		O	/"
18	SPK OUT	-	Speaker out control signal input	50	PBO	O	Pull up
19		O	Not used	51	D.SCK IN	O	Clock signal input from IC651
20		O	/"	52	SCK IN	I	Clock signal input from IC900
21	D0	O	P-ROM data input	53	SDT IN	O	Data signal input from IC900
22	D1	O	/"	54	SDT OUT	O	Data signal output to IC900
23	D2	O	/"	55	D.SCK OUT	O	Clock signal output to IC651
24	D3	O	/"	56	INH	O	Inhibit signal input
25	D4	O	/"	57	D.SDT OUT	O	Serial data output to IC651
26	D5	O	/"	58	RESET	O	Reset signal input from IC904
27	D6	I	/"	59	SYNC	O	Not used
28	D7	I	/"	60	X2	--	/"
29	A0	I	P-ROM Add output	61	X1	--	/"
30	A1	I	/"	62	VSS	--	Connect to ground
31	A2	-	/"	63	OSC2	O	Output of Xtal oscillation circuit
32	A3	-	/"	64	OSC1	I	Input to Xtal oscillation circuit

■ JCE4302A (IC406) : Digital filter and D / A Converter

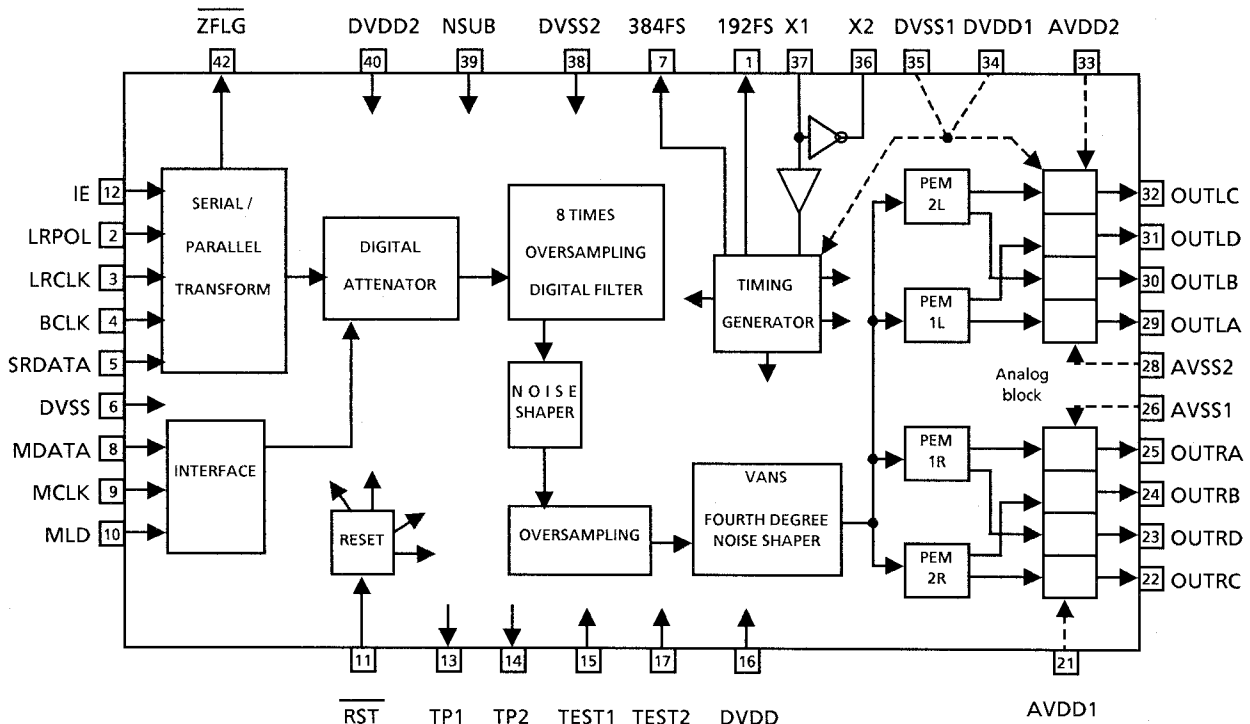
1. Outline

The JCE4302A is a D / A Converter IC with good linearity and high resolution more than 20 bits , and built-in 8 times oversampling digital filter and noise shaping DAC. High resolution data from digital filter is once sampled over sampling and compressed by unsturated fourth degree noise shaper for VANS (Victor Advanced Noise Shaper) ,while repress quantization noise of audio range at non problem level (- 120dB). Then it changed pulse wave (A,B,C,D) at changing for crystal clock by PEM(Pulse Edge Moduration) method which has no high frequency distortion, and directly transform to analog signal. Zero cross and glitch distortion which were generated at rather type DAC are bad for quality; and they are excluded in principle by 1 bit movement of pulse wave so that correct linearity is obtainable. Pulse wave A,B,C,D are compounded at external, and become analog signals which is faithful to input.

2. Terminal Layout



3. Internal Block Diagram



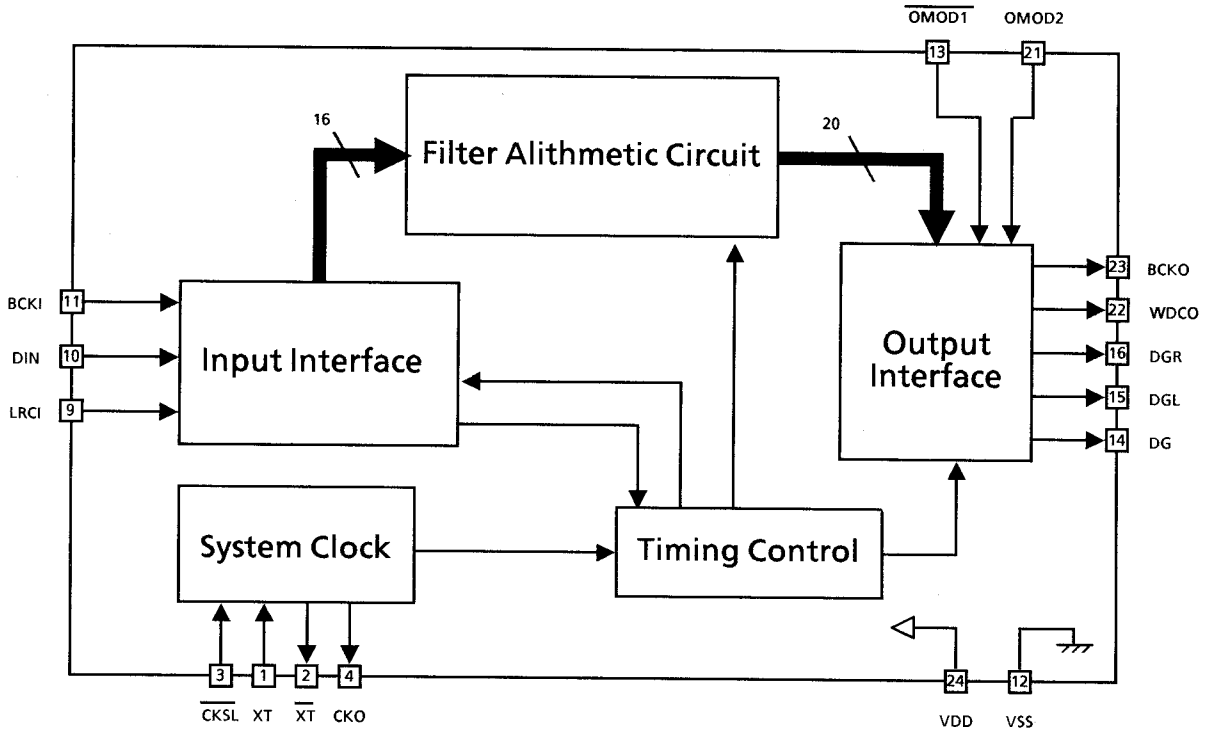
4. Terminal Function

Pin No.	Symbol	I/O	Active	Function
1	192FS	O	—	192fs output pin (Not used)
2	LRPOL	I	H	L-ch / R-ch switching pin.(H: When LRCLK is H, SRDATA is L-ch)
3	LRCLK	I		L / R switching signal of SRDATA.
4	BCLK	I		Bit transfer instruction input. (bit transfer at rise)
5	SRDATA	I		Serial data input.
6	DVSS	—		Digital system ground pin.
7	384FS	O		384fs output pin.
8	MDATA	I	L	Microprocessor command input pin. (Connect to GND)
9	MCLK	I	H	Microprocessor clock input pin. (bit transfer at rise)
10	MLD	I	H	Latch signal of MDATA.
11	$\overline{\text{RST}}$	I		Reset signal input pin. (L : Active)
12	IE	I	L	Changing the format of SRDATA. (Connect to GND)
13	TP1	O	—	Digital filter test output pin 1. (Not used)
14	TP2	O	—	Digital filter test output pin 2. (Not used)
15	TEST1	I	L	Digital filter test input pin 1. (Connect to GND)
16	DVDD	—	H	Digital system power supply pin. (common fixed electrical potential pin)
17	TEST2	I	L	Digital filter inspection test signal input pin. (Connect to GND)
18	NC		—	(Not used)
19	NC		—	(Not used)
20	NC		—	(Not used)
21	AVDD1	—		Analog system power supply pin.
22	OUT RC	O		Rch output C.
23	OUT RD	O		Rch output D.
24	OUT RB	O		Rch output B.
25	OUT RA	O		Rch output A.
26	AVSS1	—		Analog system ground. (Rch)
27	NC		—	(Not used)
28	AVSS2	—		Analog system ground. (Lch)
29	OUT LA	O		Lch output A.
30	OUT LB	O		Lch output B.
31	OUT LD	O		Lch output D.
32	OUT LC	O		Lch output C.
33	AVDD2	—		Analog system ground.
34	DVDD1	—		Digital system power supply pin.(timing generator section)
35	DVSS1	—		Digital system ground.
36	X2	O		X'tal oscillator pin.
37	X1	I		X'tal oscillator pin. (384fs = 16.9344MHz)
38	DVSS2	—		Digital system ground.
39	NSUB	—	H	Connects to D-Vdd.(silicon substrate fixed electrical potential pin)
40	DVDD2	—		Digital system power supply pin.
41	NC		—	(Not used)
42	$\overline{\text{ZFLG}}$	O		Detect the input data "0". (When input data is "0", ZFLG is L.)

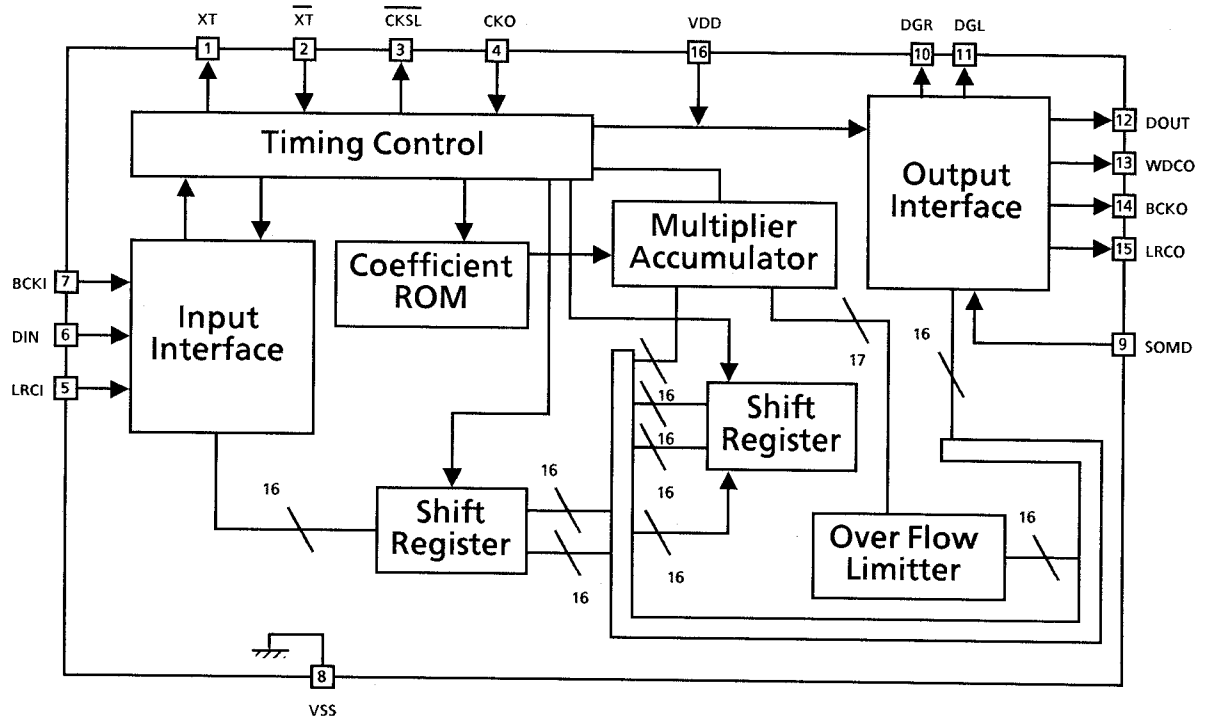
▲ ("—" is open)

Internal Block Diagram of Other ICs

■ SM5818AS (IC655) : Digital Filter

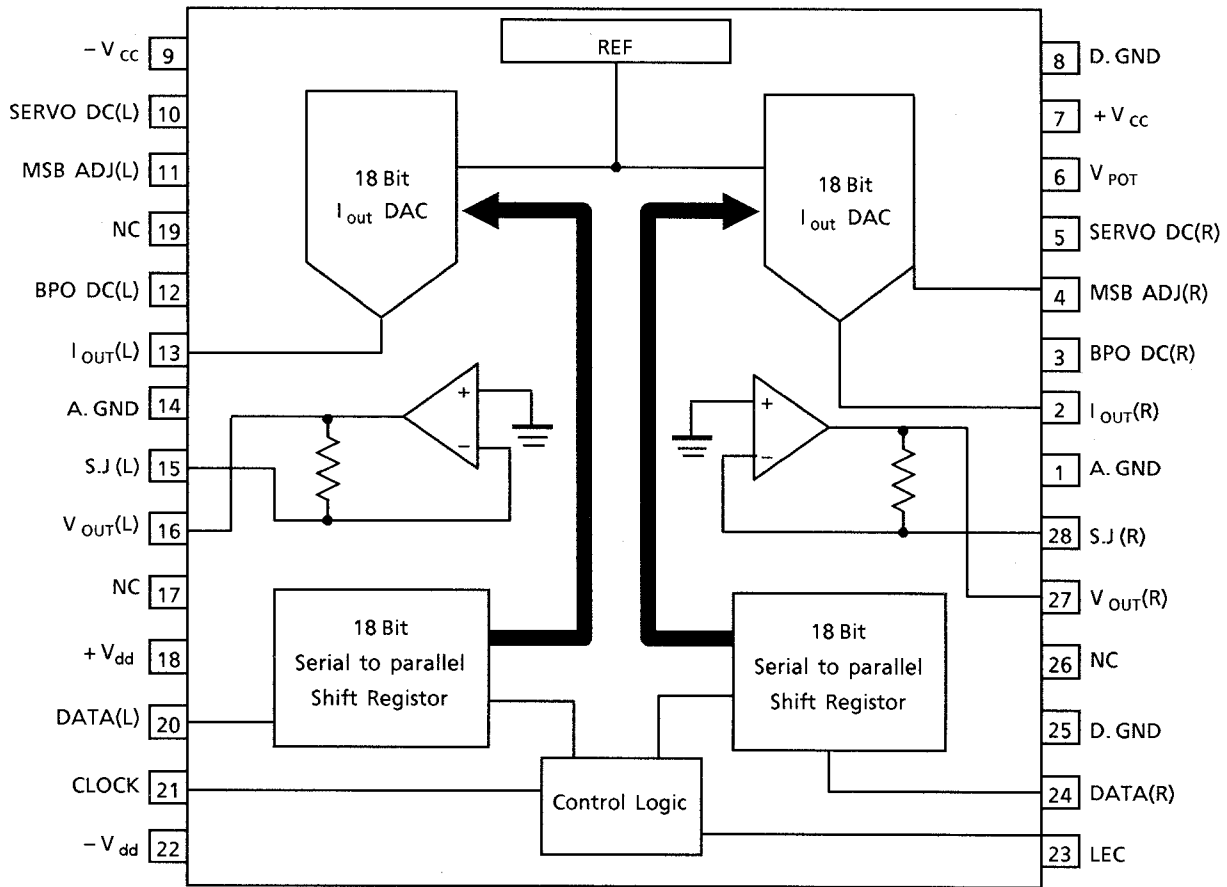


■ SM5807FS (IC656) : Digital Filter



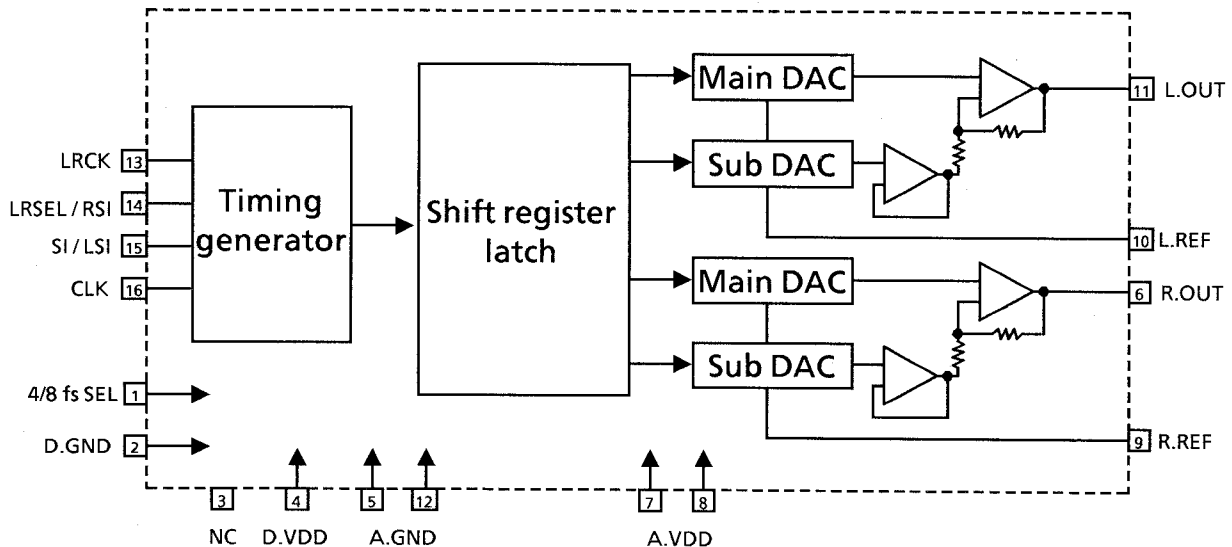
■ PCM1700U (IC657) : Digital to Analog Converter

1. Internal Block Diagram



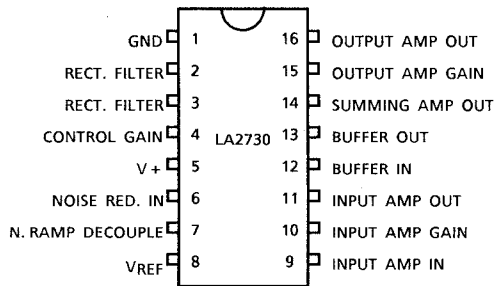
■ μ PD6376 (IC658) : Digital to Analog Converter

1. Internal Block Diagram

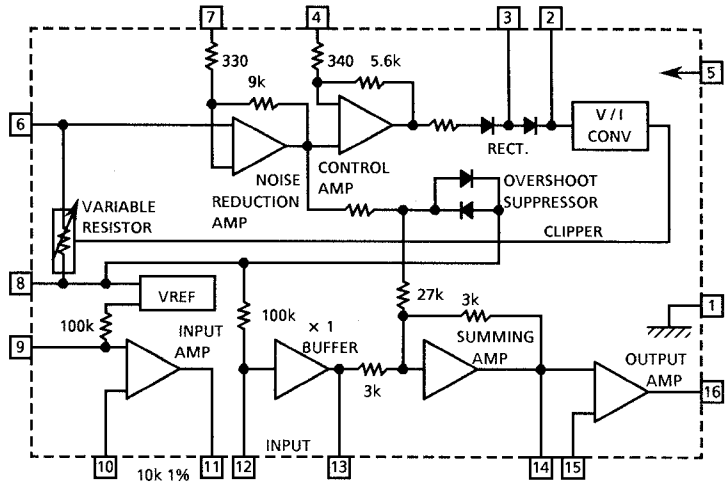


LA2730 (IC505) : Dolby B type Noise Reduction

1. Terminal Layout

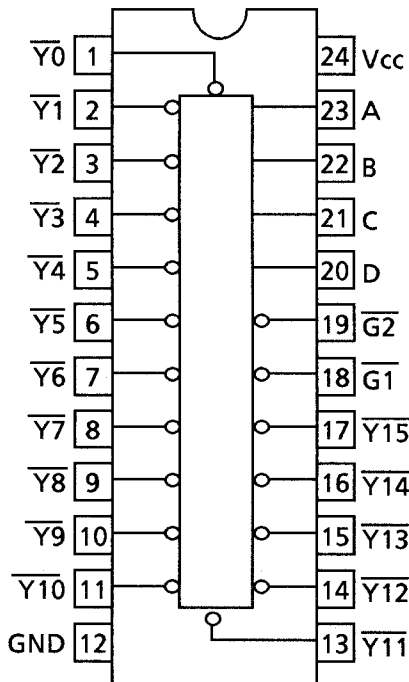


2. Block Diagram



TC74HC154AP (IC901) : Decoder

1. Terminal layout & Block diagram



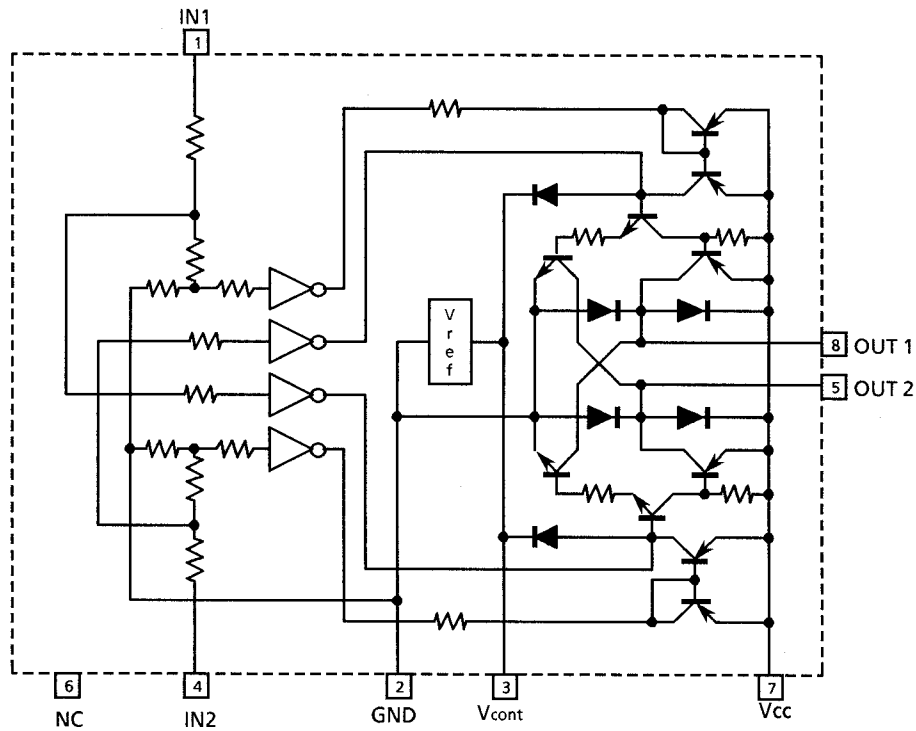
2. Functions table

Input						Selected Output
$\overline{G1}$	$\overline{G2}$	D	C	B	A	
L	L	L	L	L	L	$\overline{Y0}$
L	L	L	L	L	H	$\overline{Y1}$
L	L	L	L	H	L	$\overline{Y2}$
L	L	L	L	H	H	$\overline{Y3}$
L	L	L	H	L	L	$\overline{Y4}$
L	L	L	H	L	H	$\overline{Y5}$
L	L	L	H	H	L	$\overline{Y6}$
L	L	L	H	H	H	$\overline{Y7}$
L	L	H	L	L	L	$\overline{Y8}$
L	L	H	L	L	H	$\overline{Y9}$
L	L	H	L	H	L	$\overline{Y10}$
L	L	H	L	H	H	$\overline{Y11}$
L	L	H	H	L	L	$\overline{Y12}$
L	L	H	H	L	H	$\overline{Y13}$
L	L	H	H	H	L	$\overline{Y14}$
L	L	H	H	H	H	$\overline{Y15}$
x	H	x	x	x	x	NONE
H	x	x	x	x	x	NONE

x : Don't care

■ LB1639-CV (IC514) : Motor Driver

1. Block Diagram

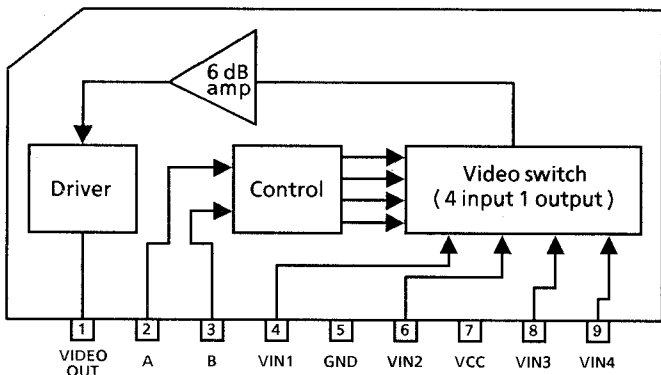


2. Functions table

IN 1	IN 2	OUT 1	OUT 2	MOTOR
H	L	H	L	CLOCKWISE
L	H	L	H	COUNTER-CLOCKWISE
H	H	OFF	OFF	WAITING
L	L	OFF	OFF	WAITING

■ LA7952 (IC600) : Video Switch with 6 dB amp.

1. Terminal Layout & Block Diagram

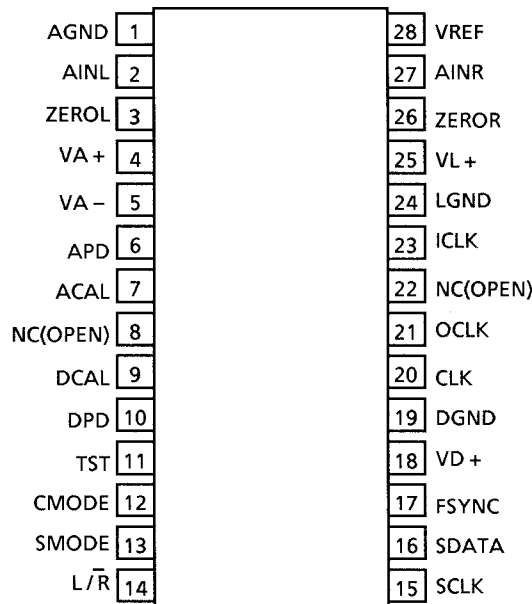


2. Pin functions

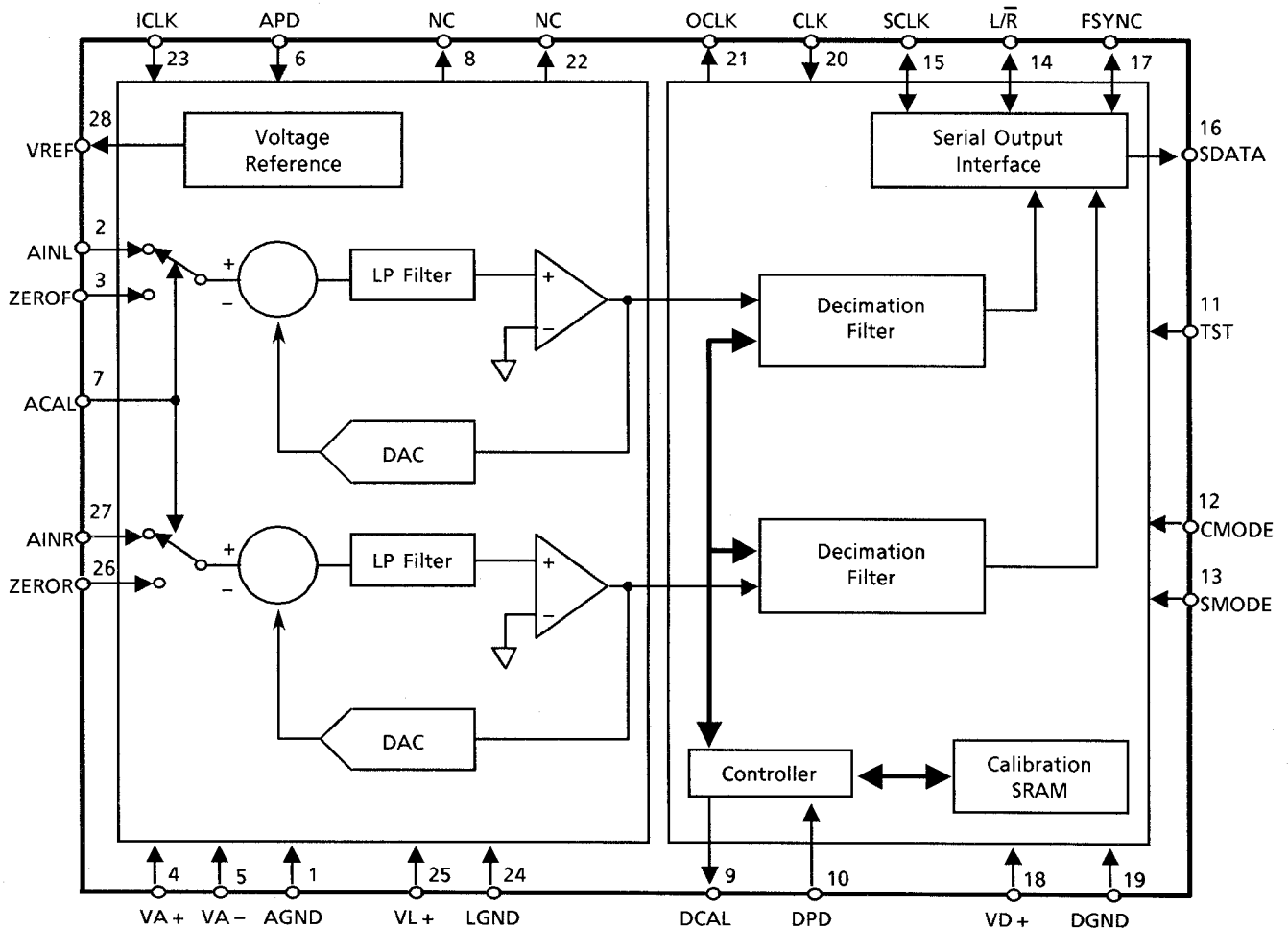
S2 (2 pin)	S3 (3 pin)	VIN1 (4 pin)	VIN2 (6 pin)	VIN3 (8 pin)	VIN4 (9 pin)
H	H	ON	OFF	OFF	OFF
L	H	OFF	ON	OFF	ON
H	L	OFF	OFF	ON	OFF
L	L	OFF	OFF	OFF	ON

■ CS5339-KP (IC654) : Analog to Digital Converter

1. Terminal layout

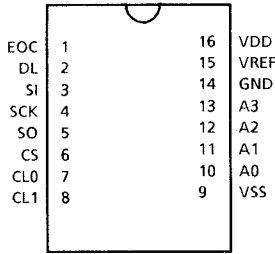


2. Block diagram

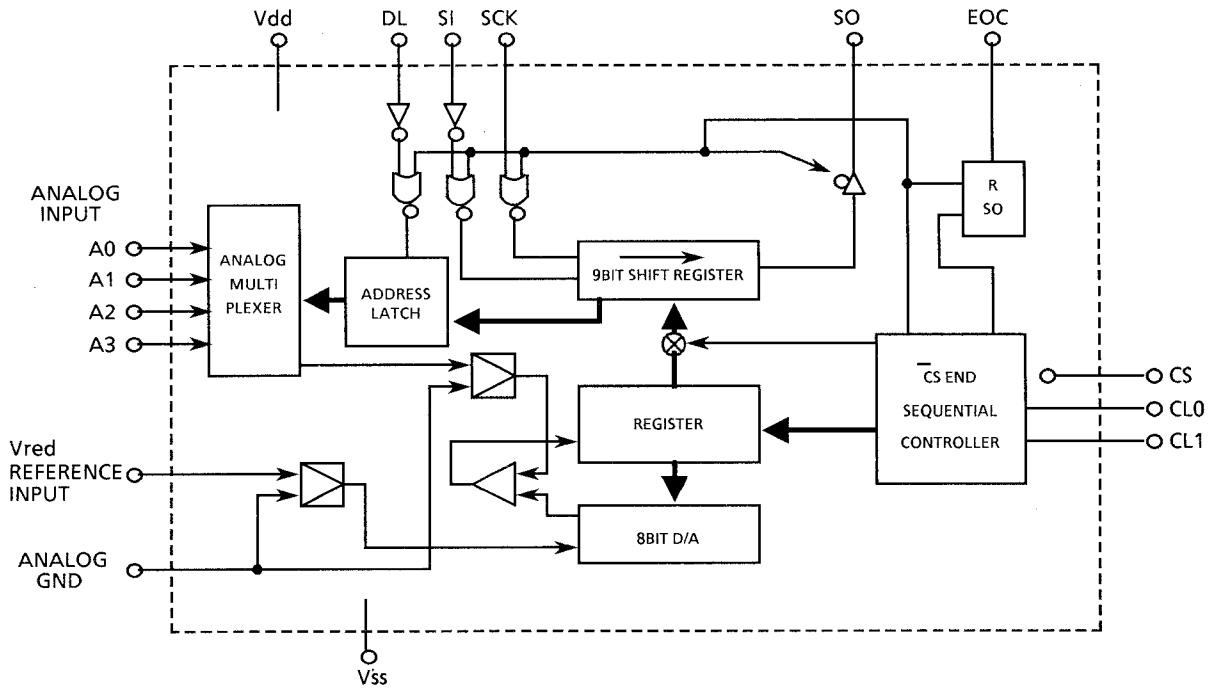


■ μ PD7001C (IC952) : Analog to Digital Converter

1. Terminal Layout

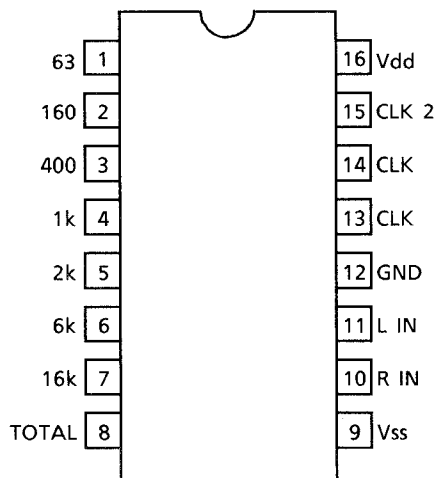


2. Block Diagram



■ XR1091DCP (IC950) : Display Filter

1. Terminal Layout

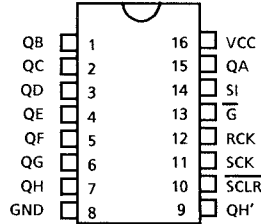


2. Pin functions

Pin No.	Symbol	Descriptions
1	63	Peak hold output of 63Hz band-pass filter
2	160	Peak hold output of 160Hz band-pass filter
3	400	Peak hold output of 400Hz band-pass filter
4	1k	Peak hold output of 1kHz band-pass filter
5	2k	Peak hold output of 2kHz band-pass filter
6	6k	Peak hold output of 6kHz band-pass filter
7	16k	Peak hold output of 16Hz band-pass filter
8	TOTAL	Total frequency output (peak hold)
9	Vss	Power supply (- 6V)
10	R IN	Right channel input
11	L IN	Left channel input : Connecting to ground
12	GND	Ground terminal
13	CLK	Connecting capacitor for clock
14	CLK	Connecting resistor to pin 13 for clock
15	CLK / 2	1/2 clock output
16	Vdd	Power supply (+ 6V)

■ TC74HC595AP (IC904) : 8 bit shift register

1. Pin Layout

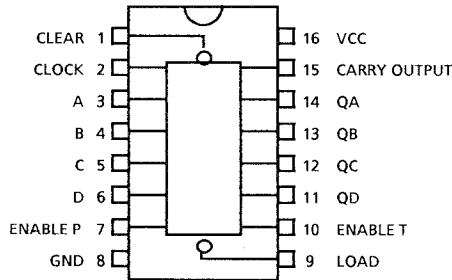


2. Pin functions

Inputs					Function
SI	SCK	SCLR	RCK	G	
X	X	X	X	H	Output(QA~QH)disable
X	X	X	X	L	Output(QA~QH)enable
X	X	L	X	X	Shift register is cleared.
L		H	X	X	Condition of shift register in initial stage is "L". In the other stage, data from the former stage is stored.
H		H	X	X	Condition of shift register in initial stage is "H". In the other stages, data from the former stage is stored.
X		H	X	X	Shift register does not change.
X	X	X		X	Shift register data is stored in the storage register.
X	X	X		X	Storage register does not change.

■ TC74HC163AP (IC403,404) : Synchronous Presettable 4-Bit Counter

1. Terminal Layout



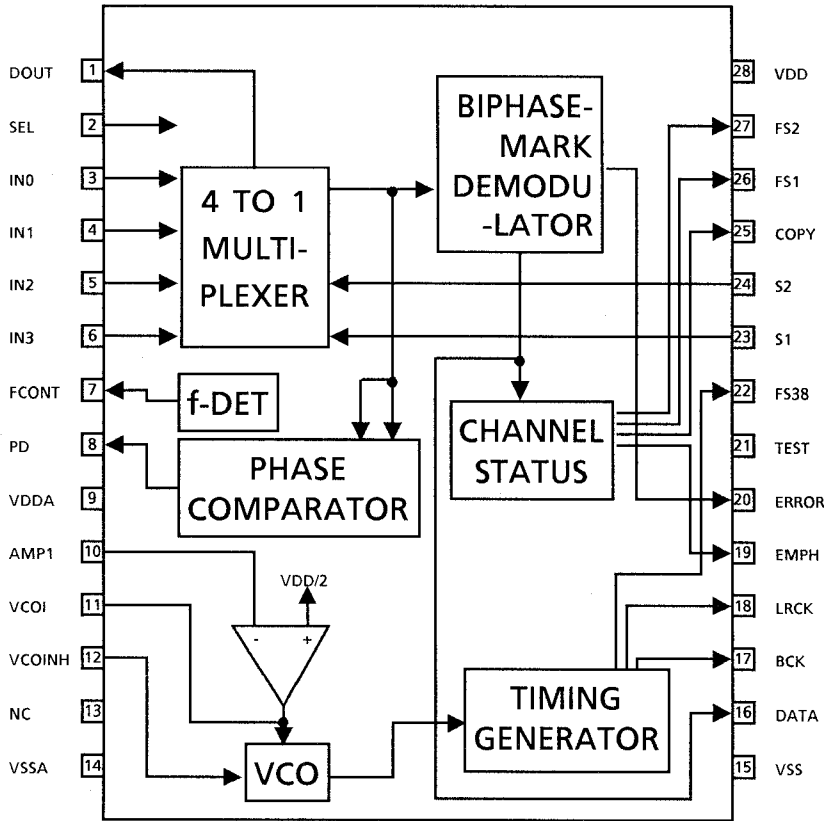
2. Pin functions

Inputs					Outputs				Function
CLR	LD	PE	TE	CK	QA	QB	QC	QD	
L	X	X	X		L	L	L	L	Reset to "0"
H	L	X	X		A	B	C	D	Preset data
H	H	X	L		No change				No count
H	H	L	X		No change				No count
H	H	H	H		Count up				Count up
X	H	X	X		No change				No count

Note X : Don't care
A,B,C,D: Logic level of data inputs

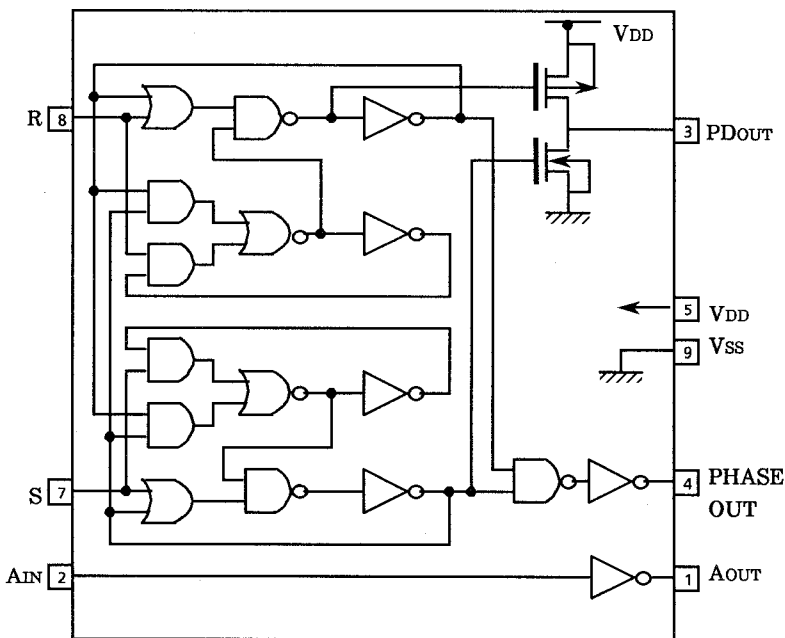
■ TC9245N (IC401) : Digital audio interface

1. Internal Blockdiagram



■ TC5081AP(IC402) : Phase detector for the PLL synthesizer

1. Internal Blockdiagram

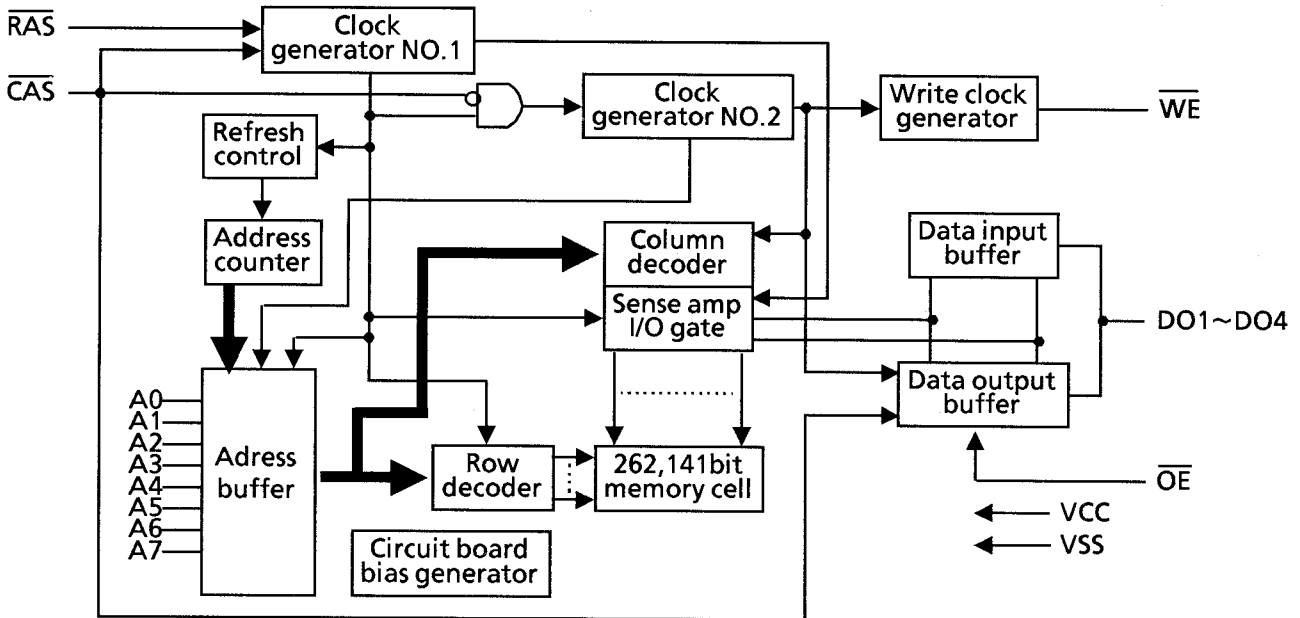


2. Pin Functions

Pin NO	Function
1	Inverted output of AIN
2	Pulse input
3	Output the positive and negative pulses which are proportion to phase difference of input R,S. High impedance both phase of R and S are the same.
4	"L" while it is output from PDout.
5	Power supply
6	Non connection
7	Pulse input (Phase detector input)
8	Pulse input (Phase detector input)
9	GND

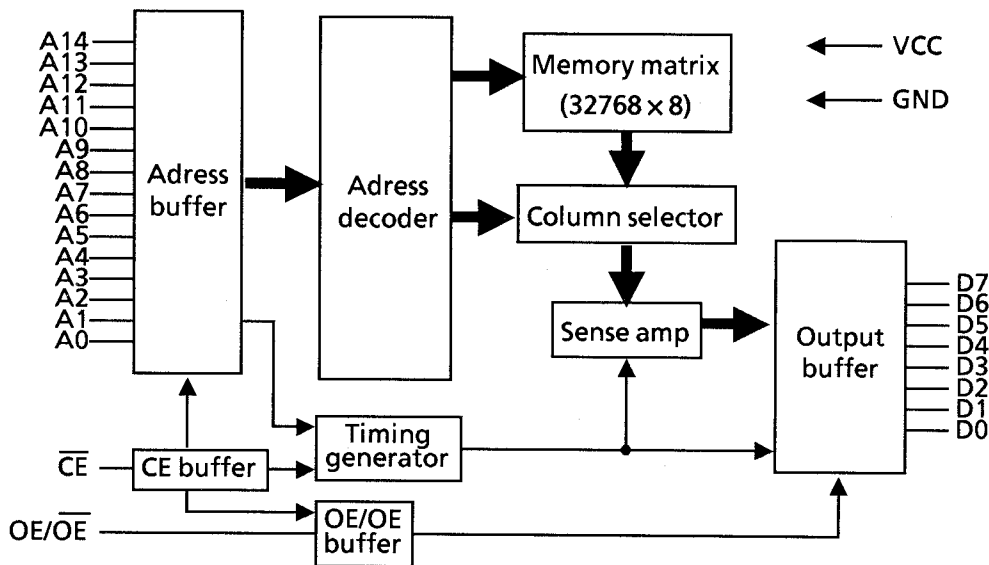
■ LH535949 (IC659) : 256K (32K × 8)bit mask ROM

1. Internal Block Diagram



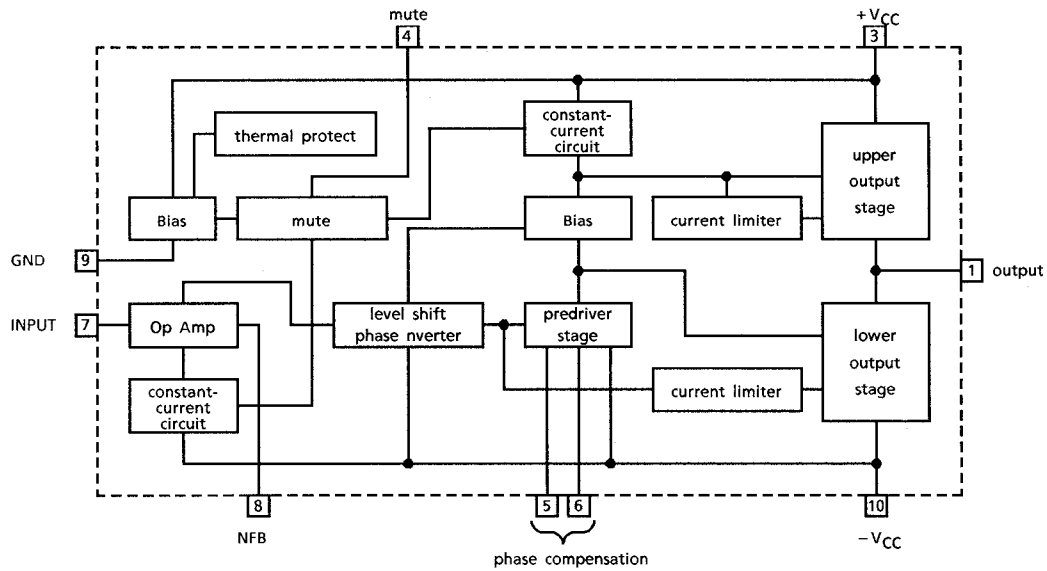
■ MB81464-12 (IC652,653) : 256K(64K × 4) bit D-RAM

1. Internal Block Diagram



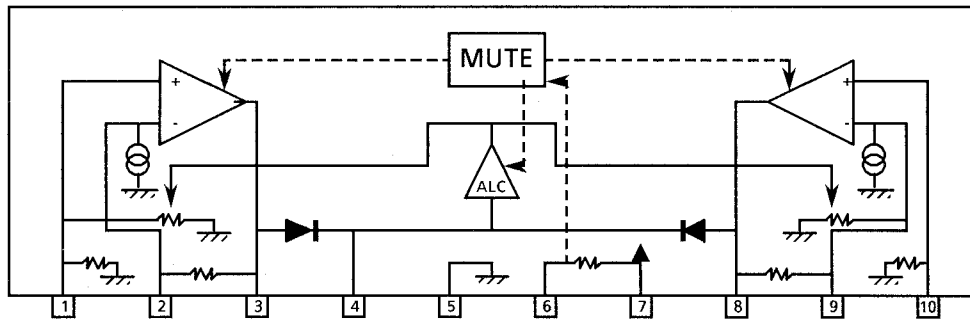
■ μ PC1188H (IC021,022) : Power Amplifier

Block Diagram

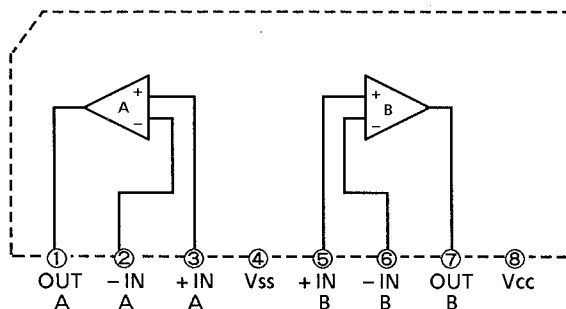


■ BA3312N(IC809) : OP amp with auto level control

1. Internal Block



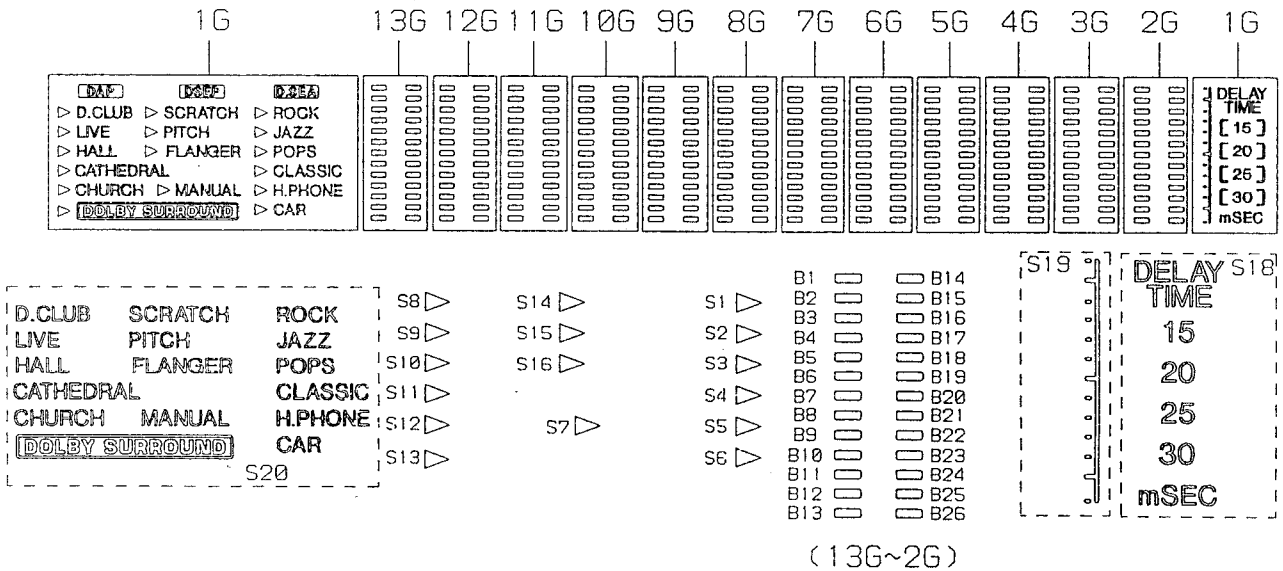
- VC4580L (IC301,405,409,410,512, 661, 663,808) : Dual OP amp
- BA15218N (IC506) : Dual OP amp
- XRA15218N (IC304,512,808) : Dual OP amp



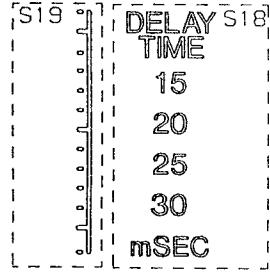
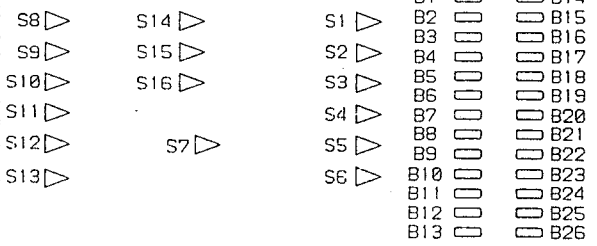
Internal Connections of FL Display

■ FL901 : ELU0001-125

1. Grid Assigtment



- D.CLUB
- LIVE
- HALL
- CATHEDRAL
- CHURCH
- DOLBY SURROUND
- SCRATCH
- PITCH
- FLANGER
- MANUAL
- ROCK
- JAZZ
- POPS
- CLASSIC
- H.PHONE
- CAR

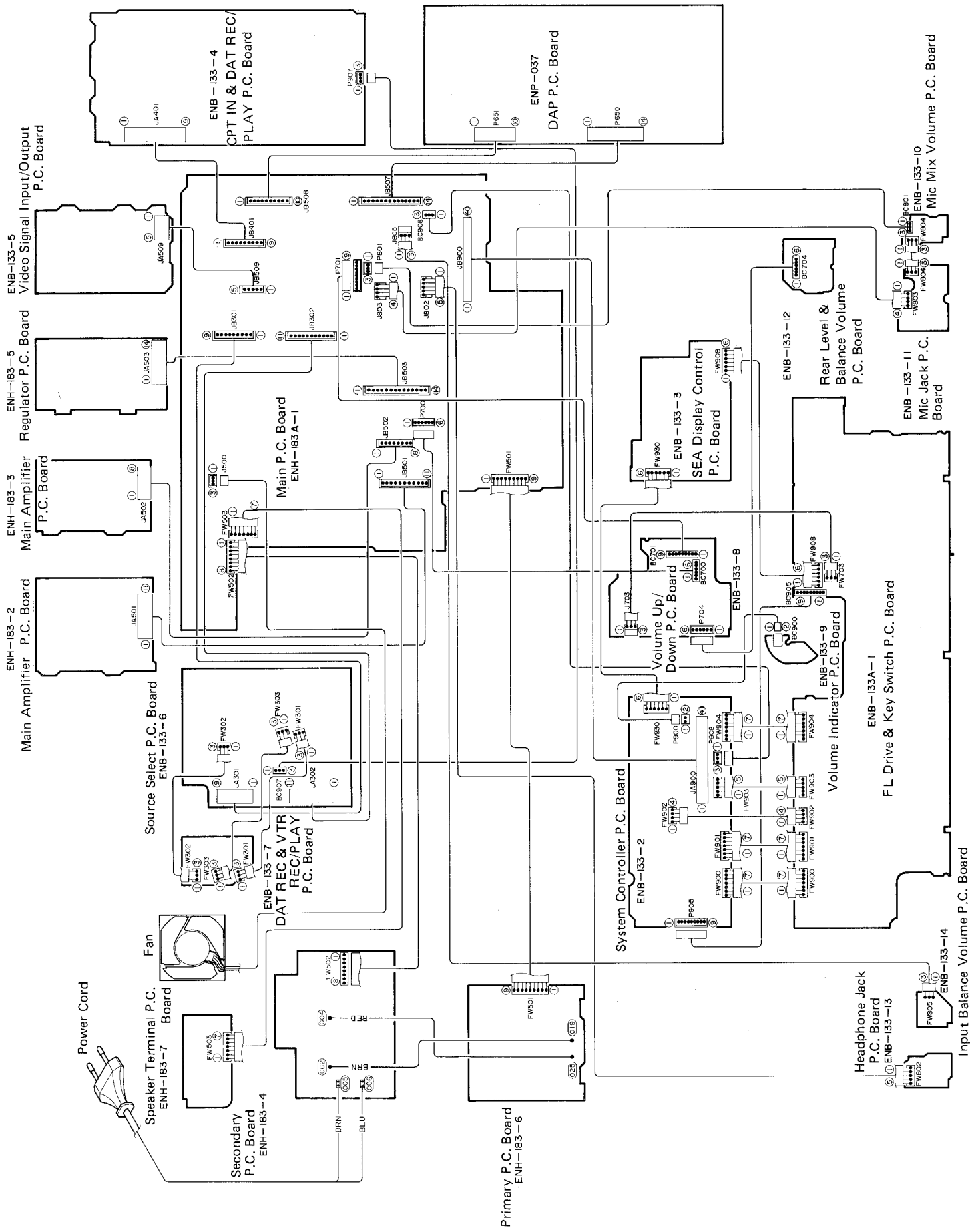


(13G~2G)

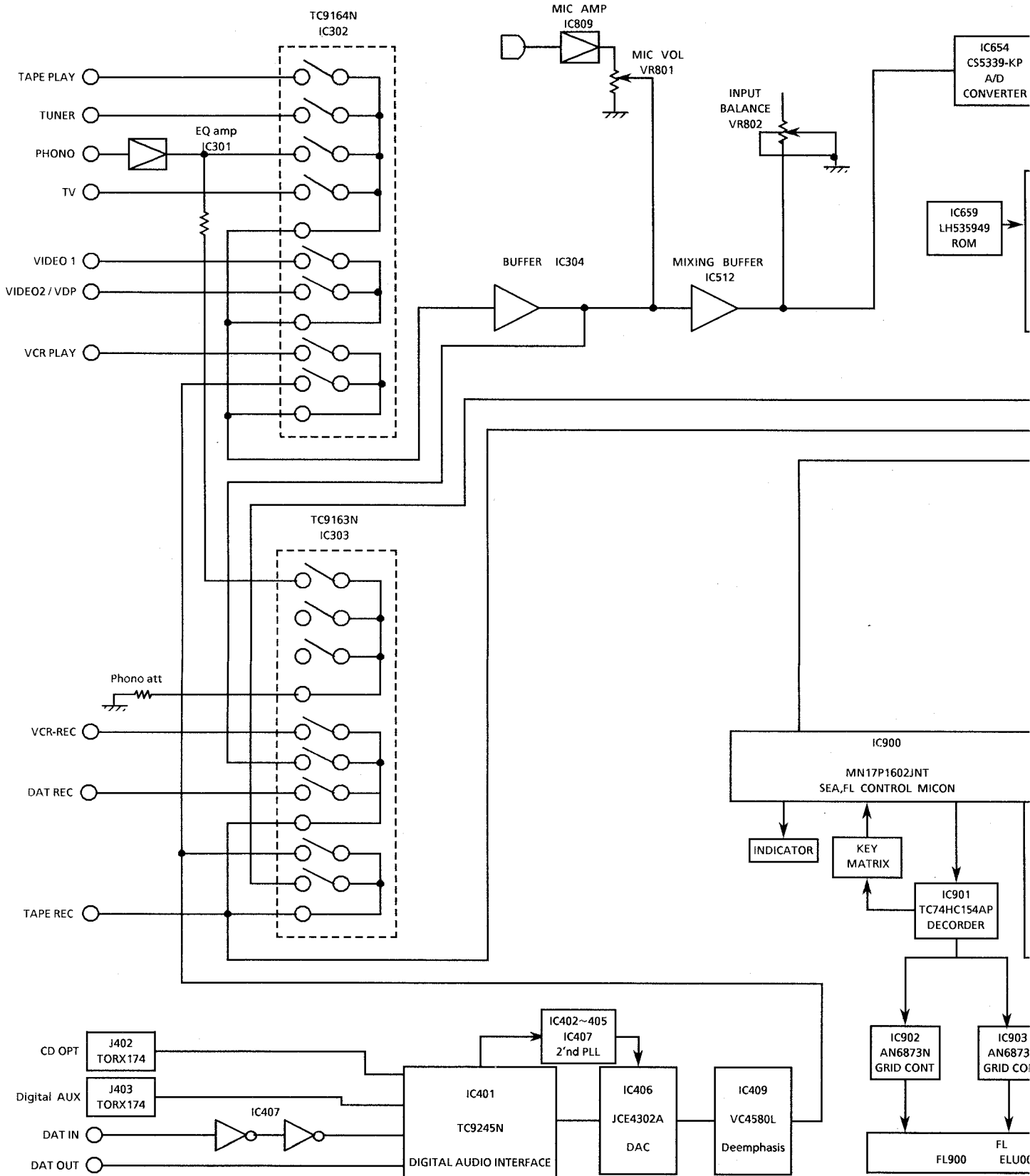
2. Anode Connection

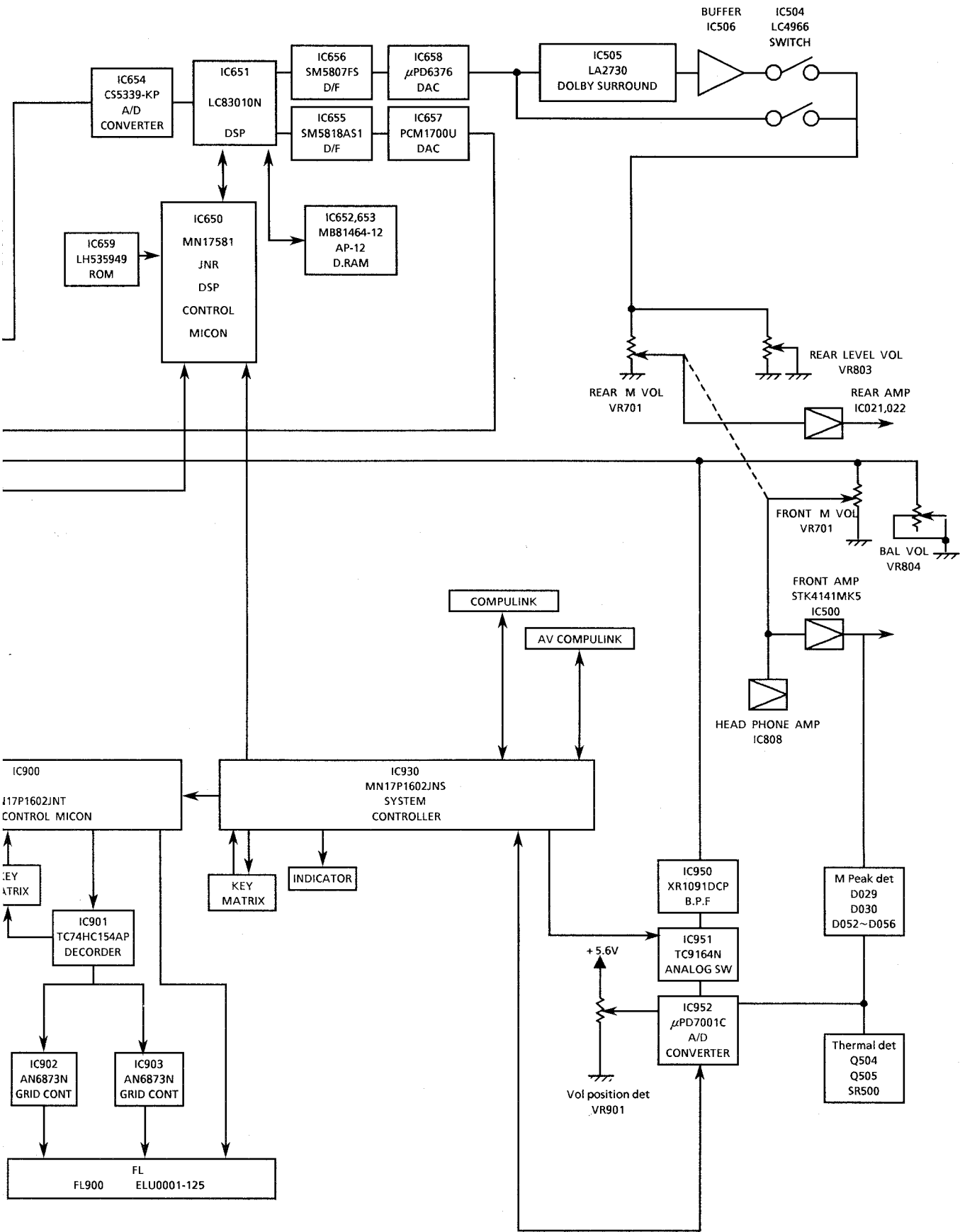
	13G	12G	11G	10G	9G	8G	7G	6G	5G	4G	3G	2G	1G
P1	B1	B1	B1	B1	B1	B1	B1	B1	B1	B1	B1	B1	S8
P2	B2	B2	B2	B2	B2	B2	B2	B2	B2	B2	B2	B2	S1
P3	B3	B3	B3	B3	B3	B3	B3	B3	B3	B3	B3	B3	S2
P4	B4	B4	B4	B4	B4	B4	B4	B4	B4	B4	B4	B4	S9
P5	B5	B5	B5	B5	B5	B5	B5	B5	B5	B5	B5	B5	S3
P6	B6	B6	B6	B6	B6	B6	B6	B6	B6	B6	B6	B6	S11
P7	B7	B7	B7	B7	B7	B7	B7	B7	B7	B7	B7	B7	S4
P8	B8	B8	B8	B8	B8	B8	B8	B8	B8	B8	B8	B8	S12
P9	B9	B9	B9	B9	B9	B9	B9	B9	B9	B9	B9	B9	S5
P10	B10	B10	B10	B10	B10	B10	B10	B10	B10	B10	B10	B10	S7
P11	B11	B11	B11	B11	B11	B11	B11	B11	B11	B11	B11	B11	S6
P12	B12	B12	B12	B12	B12	B12	B12	B12	B12	B12	B12	B12	
P13	B13	B13	B13	B13	B13	B13	B13	B13	B13	B13	B13	B13	S20
P14	B14	B14	B14	B14	B14	B14	B14	B14	B14	B14	B14	B14	S14
P15	B15	B15	B15	B15	B15	B15	B15	B15	B15	B15	B15	B15	S15
P16	B16	B16	B16	B16	B16	B16	B16	B16	B16	B16	B16	B16	S16
P17	B17	B17	B17	B17	B17	B17	B17	B17	B17	B17	B17	B17	
P18	B18	B18	B18	B18	B18	B18	B18	B18	B18	B18	B18	B18	
P19	B19	B19	B19	B19	B19	B19	B19	B19	B19	B19	B19	B19	
P20	B20	B20	B20	B20	B20	B20	B20	B20	B20	B20	B20	B20	S18
P21	B21	B21	B21	B21	B21	B21	B21	B21	B21	B21	B21	B21	S19
P22	B22	B22	B22	B22	B22	B22	B22	B22	B22	B22	B22	B22	[30]
P23	B23	B23	B23	B23	B23	B23	B23	B23	B23	B23	B23	B23	[25]
P24	B24	B24	B24	B24	B24	B24	B24	B24	B24	B24	B24	B24	[20]
P25	B25	B25	B25	B25	B25	B25	B25	B25	B25	B25	B25	B25	[15]
P26	B26	B26	B26	B26	B26	B26	B26	B26	B26	B26	B26	B26	-
P27	-	-	-	-	-	-	-	-	-	-	-	-	D.SEA
P28	-	-	-	-	-	-	-	-	-	-	-	-	D.SEP
P29	-	-	-	-	-	-	-	-	-	-	-	-	DAP
P30	-	-	-	-	-	-	-	-	-	-	-	-	S10
P31	-	-	-	-	-	-	-	-	-	-	-	-	S13

Connection Diagram



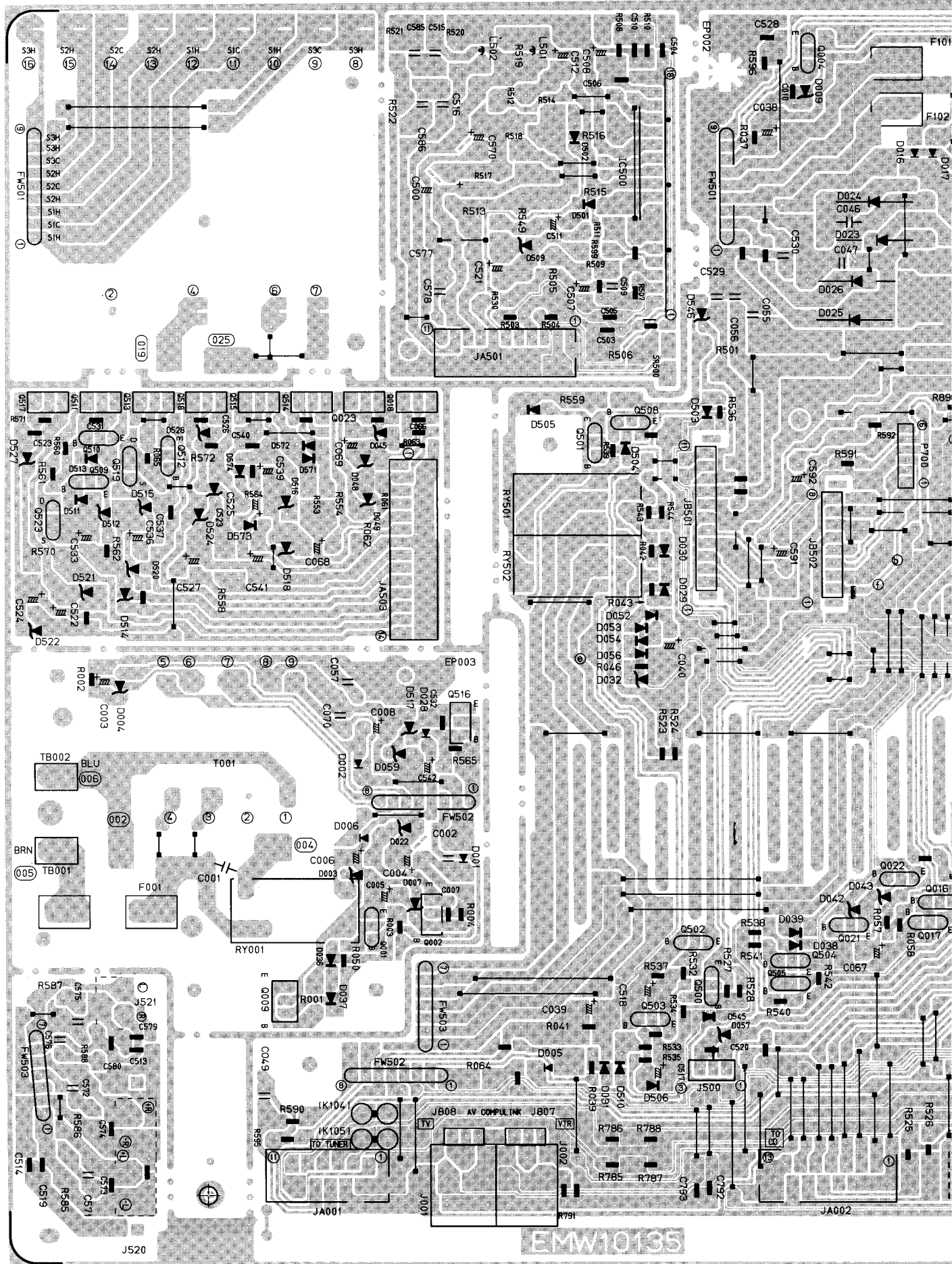
Block Diagram

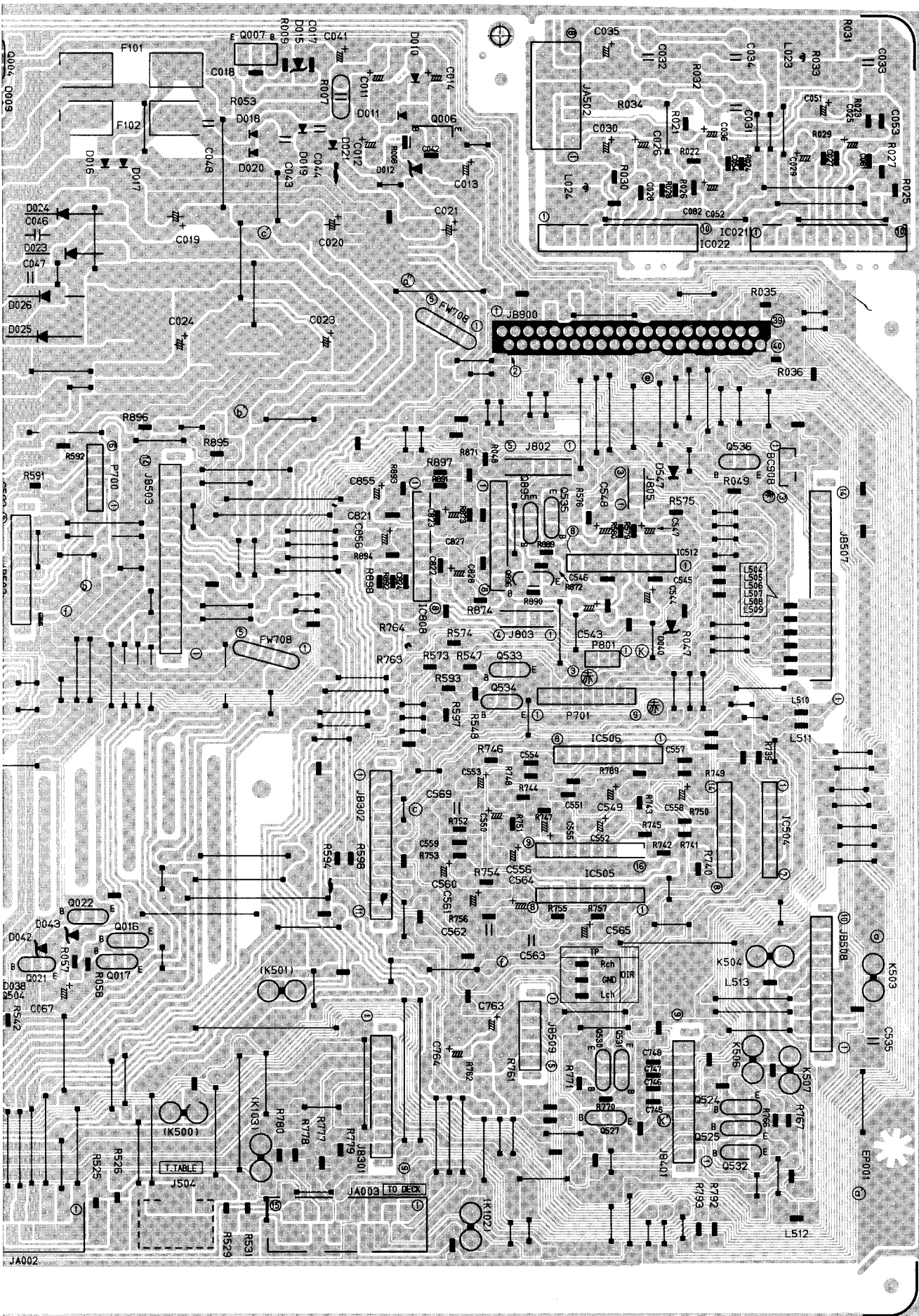




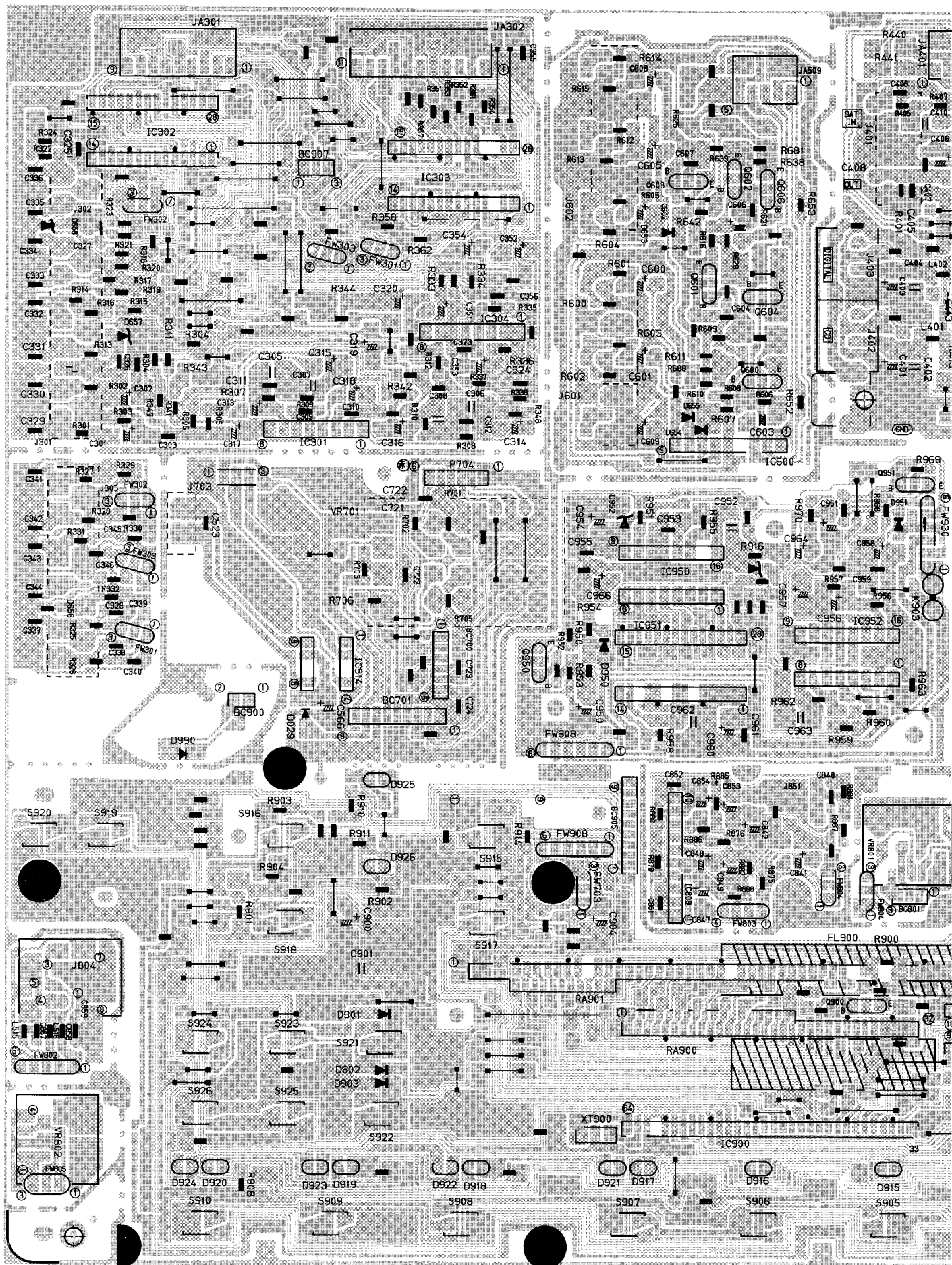
Printed Circuit Boards

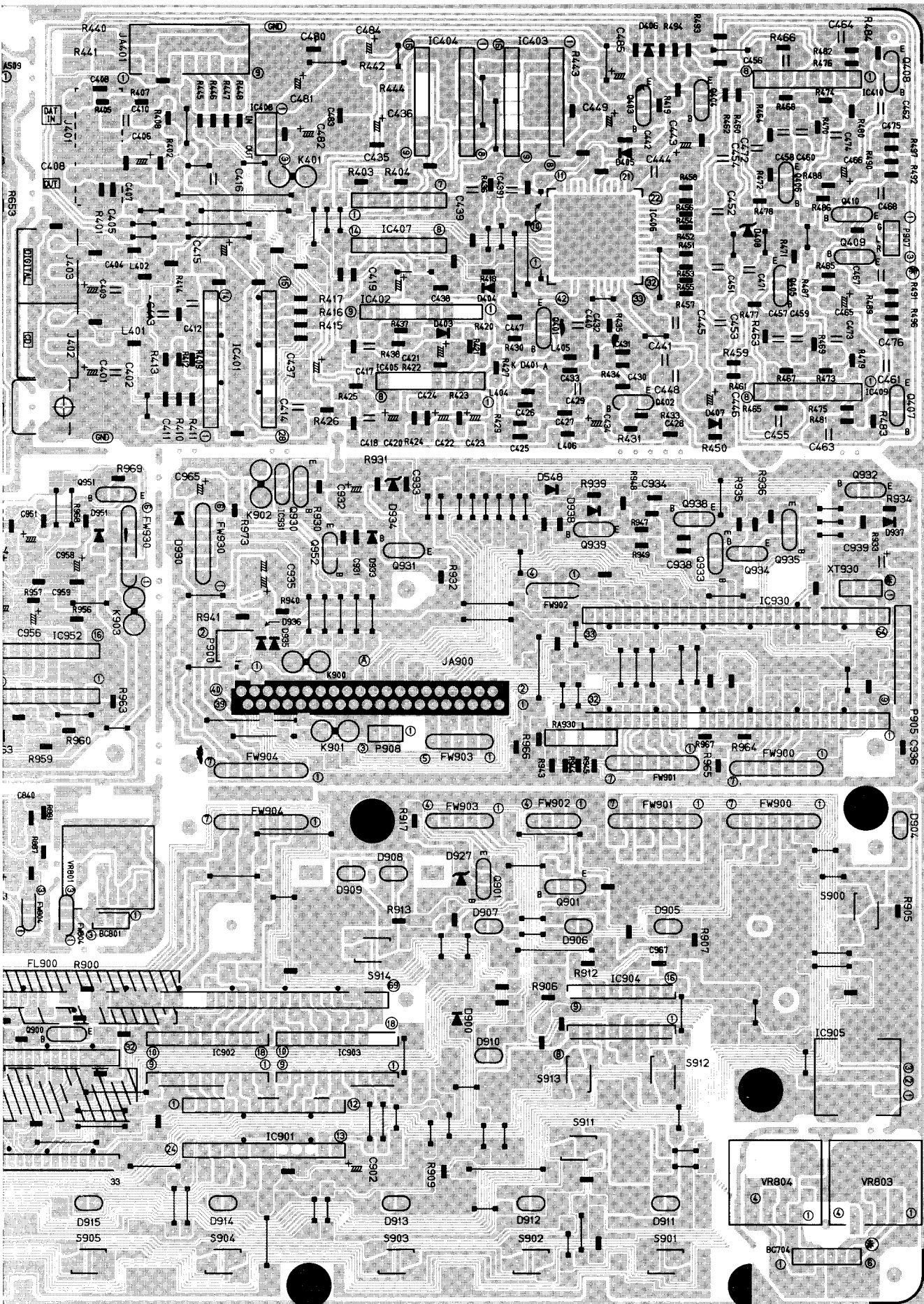
■ Power Primary & Power Amplifier P.C.Board Ass'y (ENH-183)





■ System Control & Digital, Analog Input/Output P.C.Board Ass'y (ENB-133)





Schematic Diagrams

■ Source Select & Power Amplifier Section

A | B | C | D | E | F | G | H | I | J | K

1

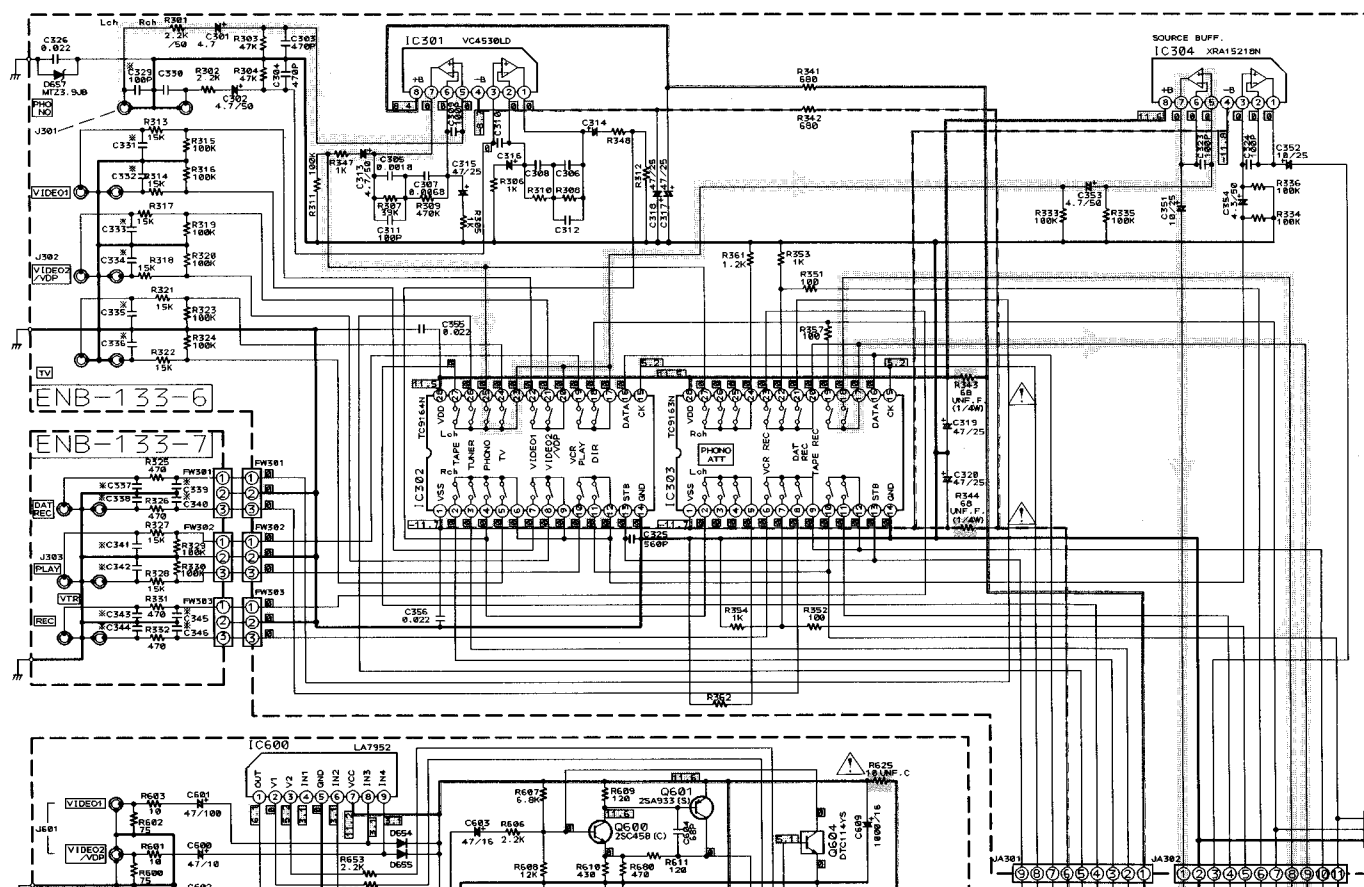
2

3

4

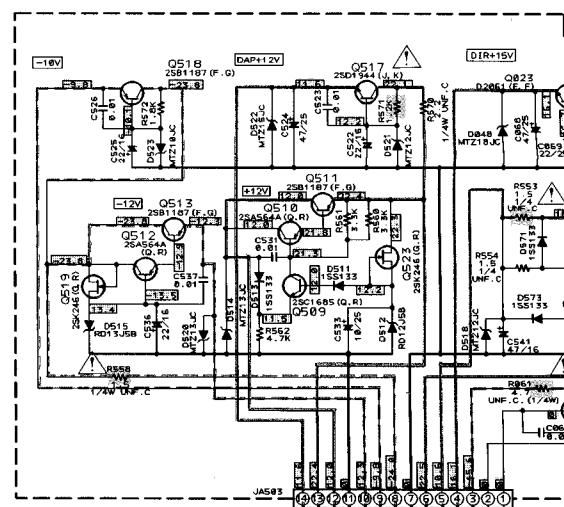
5

6



VOLTAGE MEASUREMENT CONDITION

SOURCE	AUDIO	VCR
VIDEO	VCR	
DAP/DMP	OFF	
D. SEA	OFF	
S. DIRECT	OFF	
LEARNING CSRSP	OFF	
MAIN VOLUME	MIN	
POWER ENGINE	STOP	



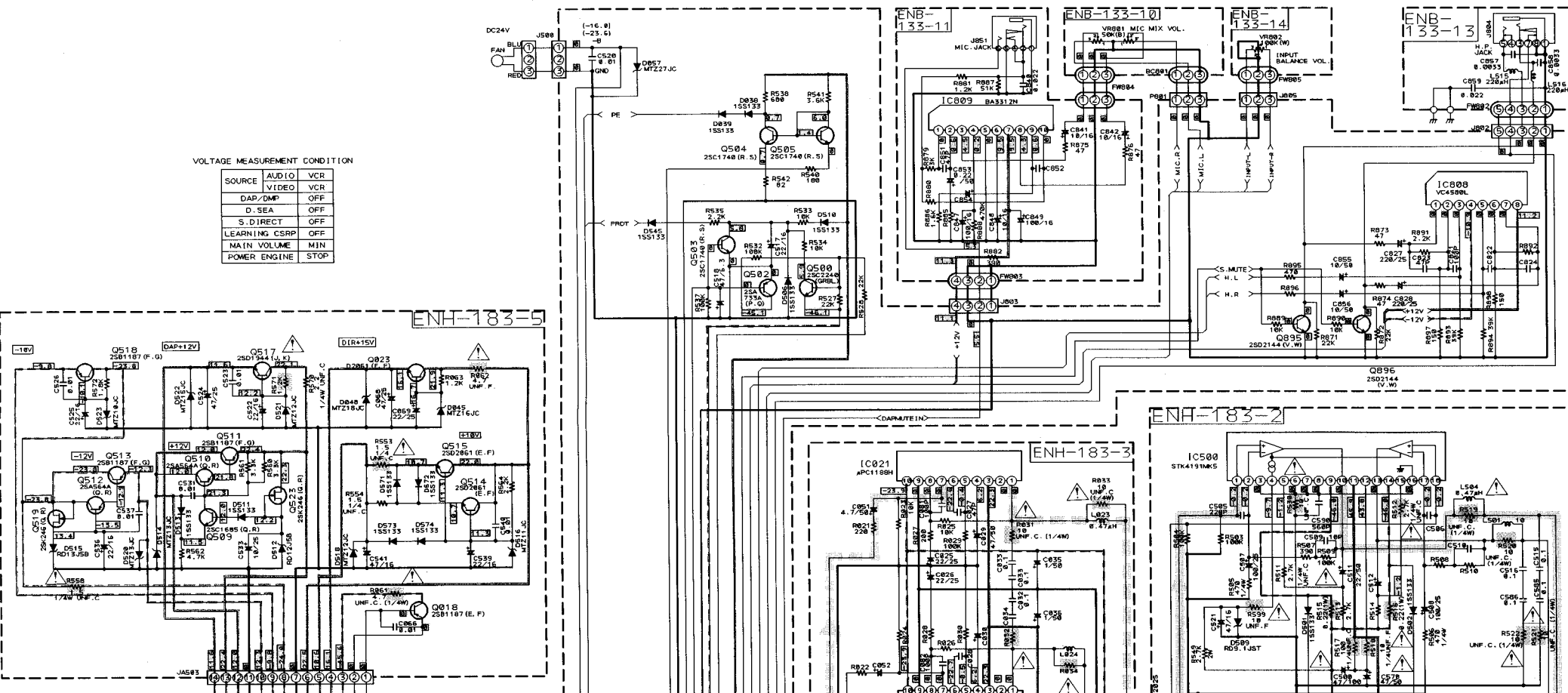
TO ENB-133
BC907

J301
J302
J303

I | J | K | L | M | N | O | P | Q | R | S

VOLTAGE MEASUREMENT CONDITION

SOURCE	AUDIO	VCR
DAP/DMP	VIDEO	VCR
D-SEA	OFF	OFF
S.DIRECT	OFF	OFF
LEARNING CSRFP	OFF	OFF
MAIN VOLUME	MIN	MIN
POWER ENGINE	STOP	STOP



6

7

8

9

10

11

12

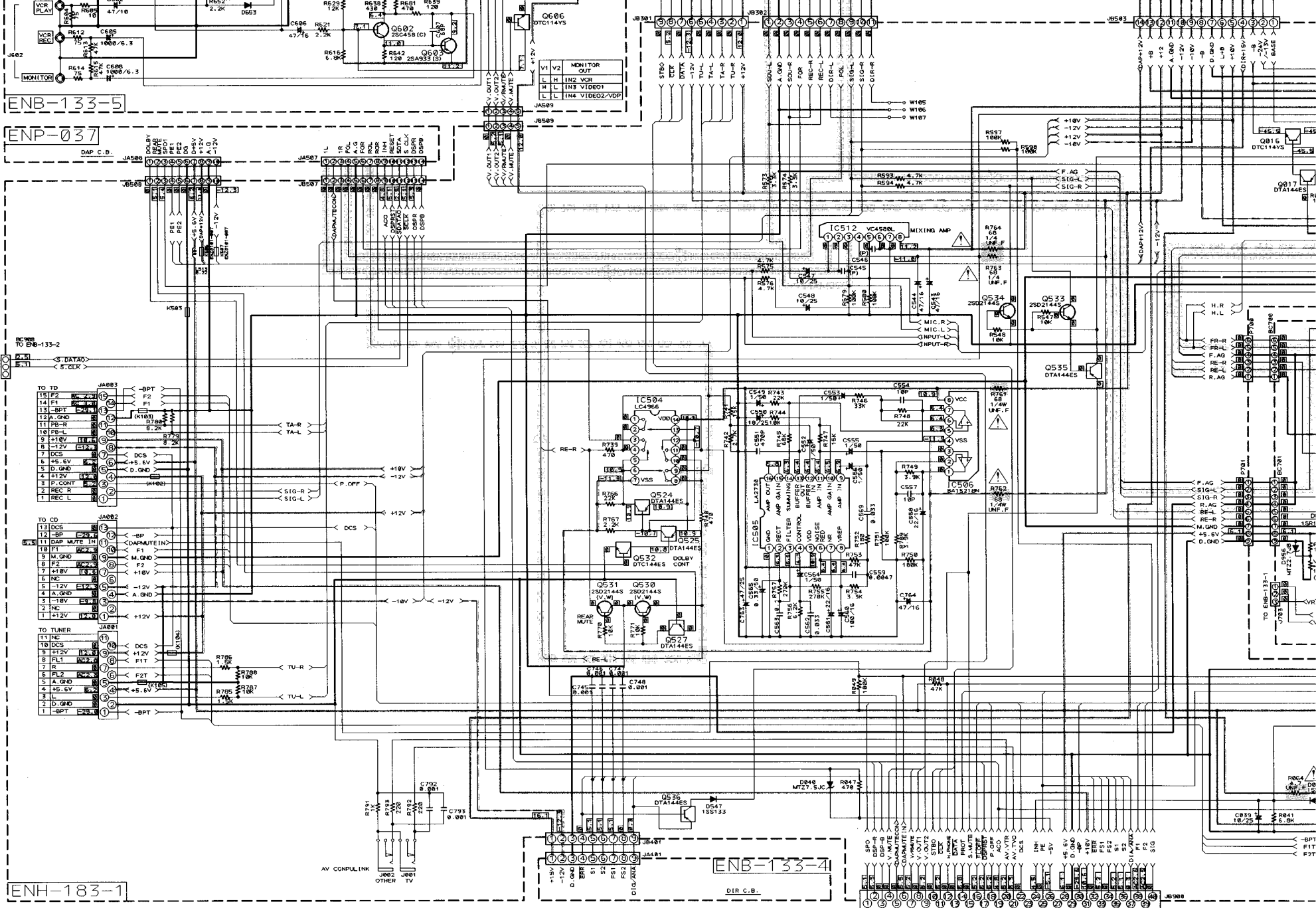
13

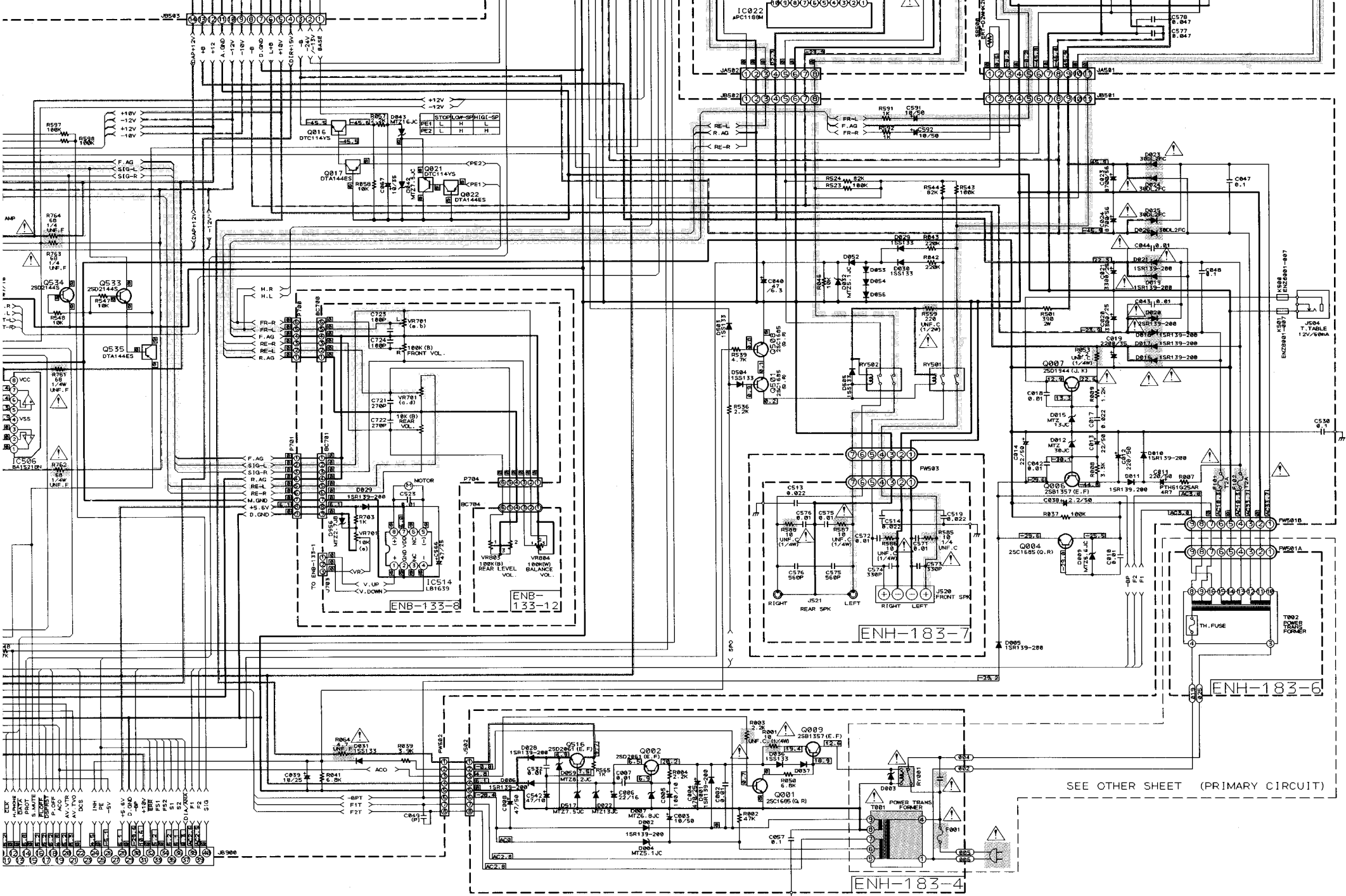
ENB-133-5

ENP-037

ENH-183-1

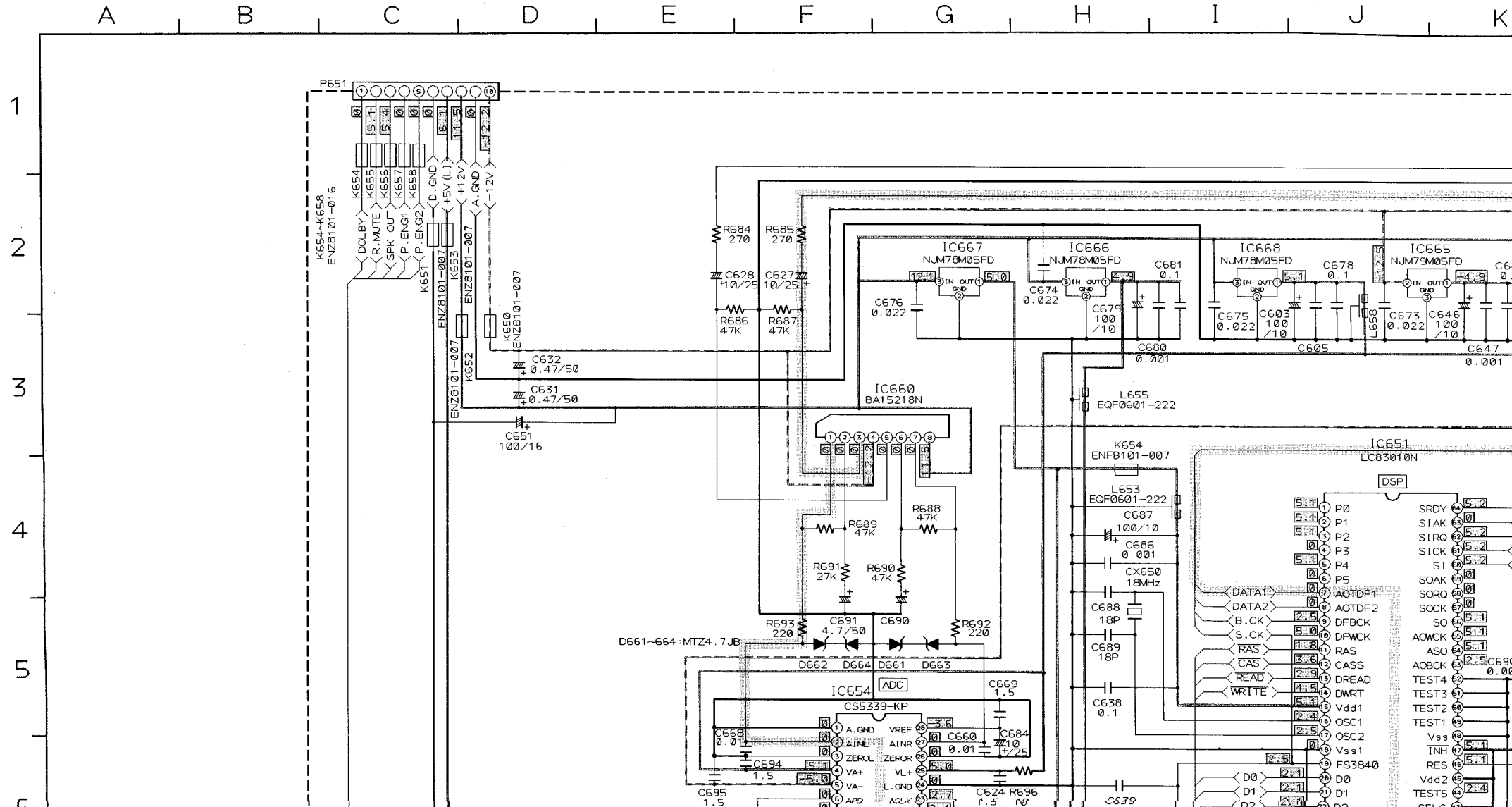
ENB-133-4



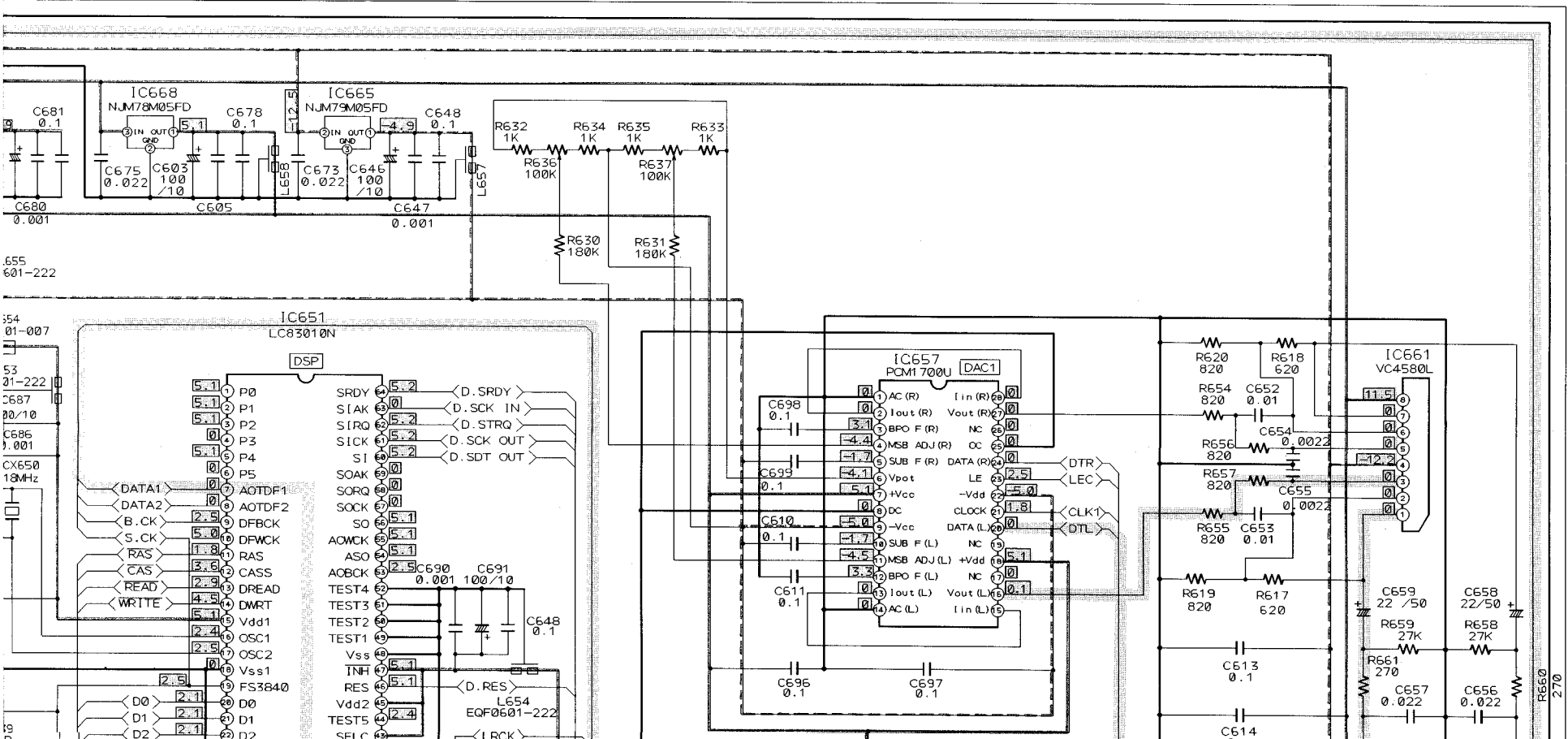


SEE OTHER SHEET (PRIMARY CIRCUIT)

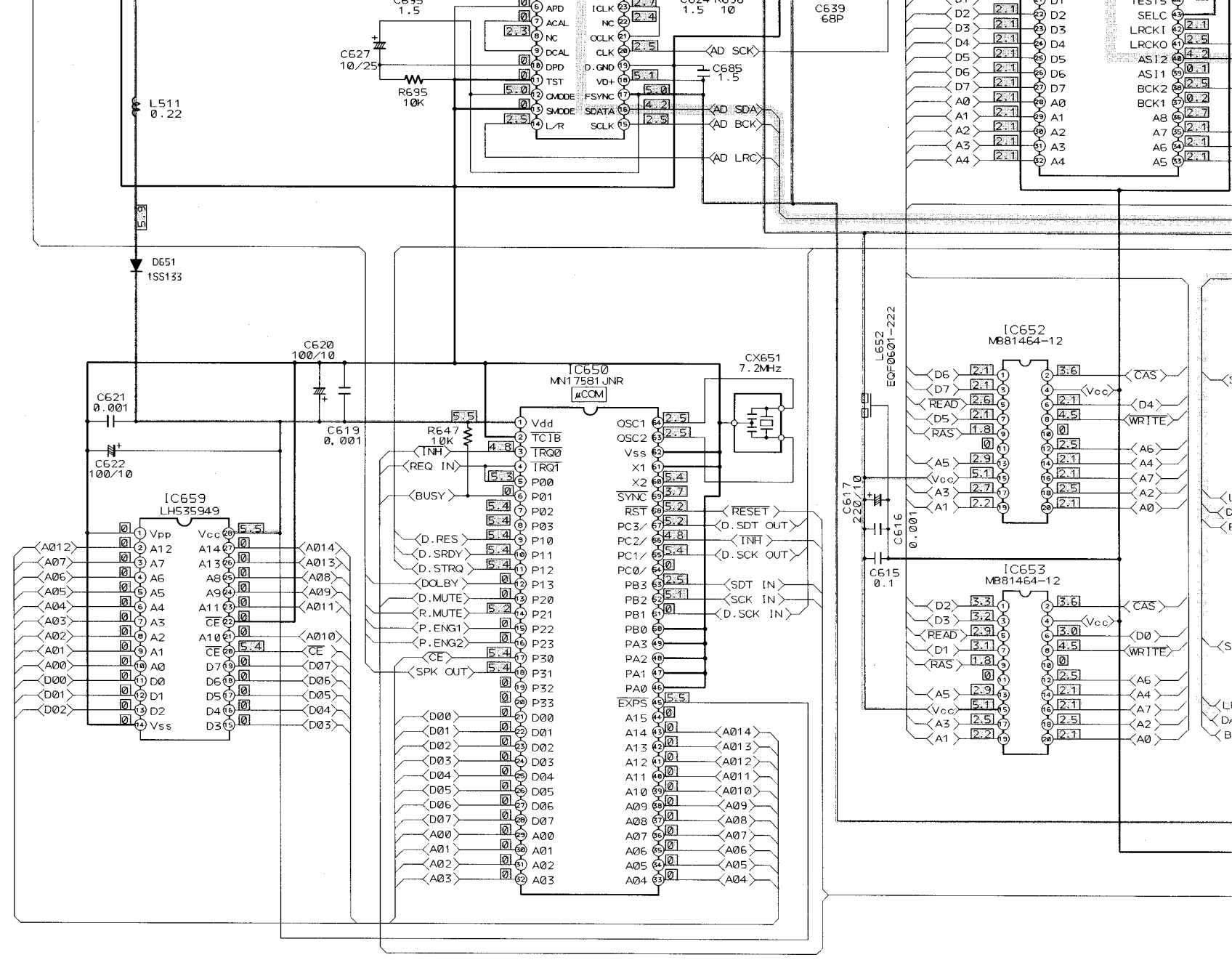
■ DAP Section

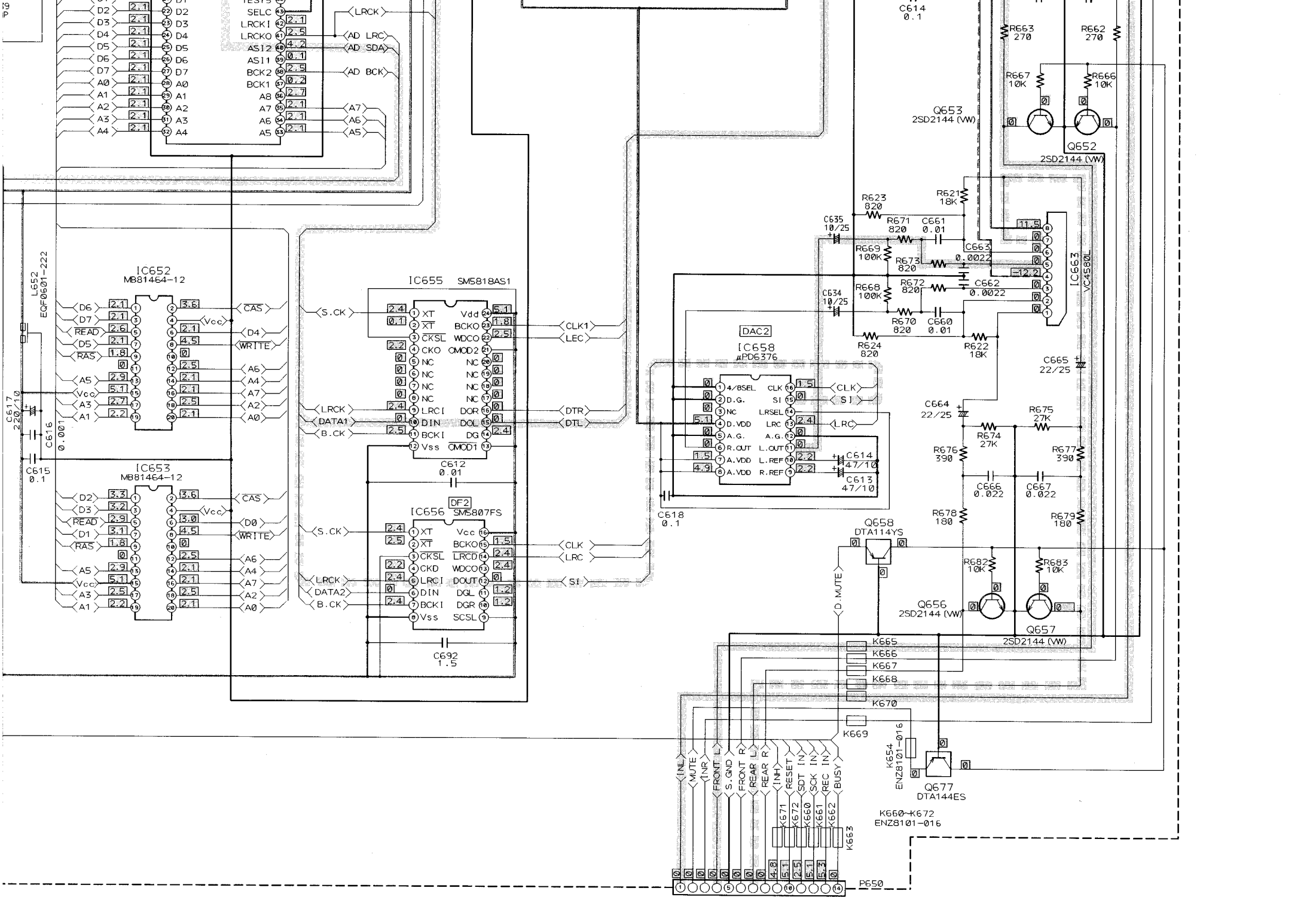


I J K L M N O P Q R S

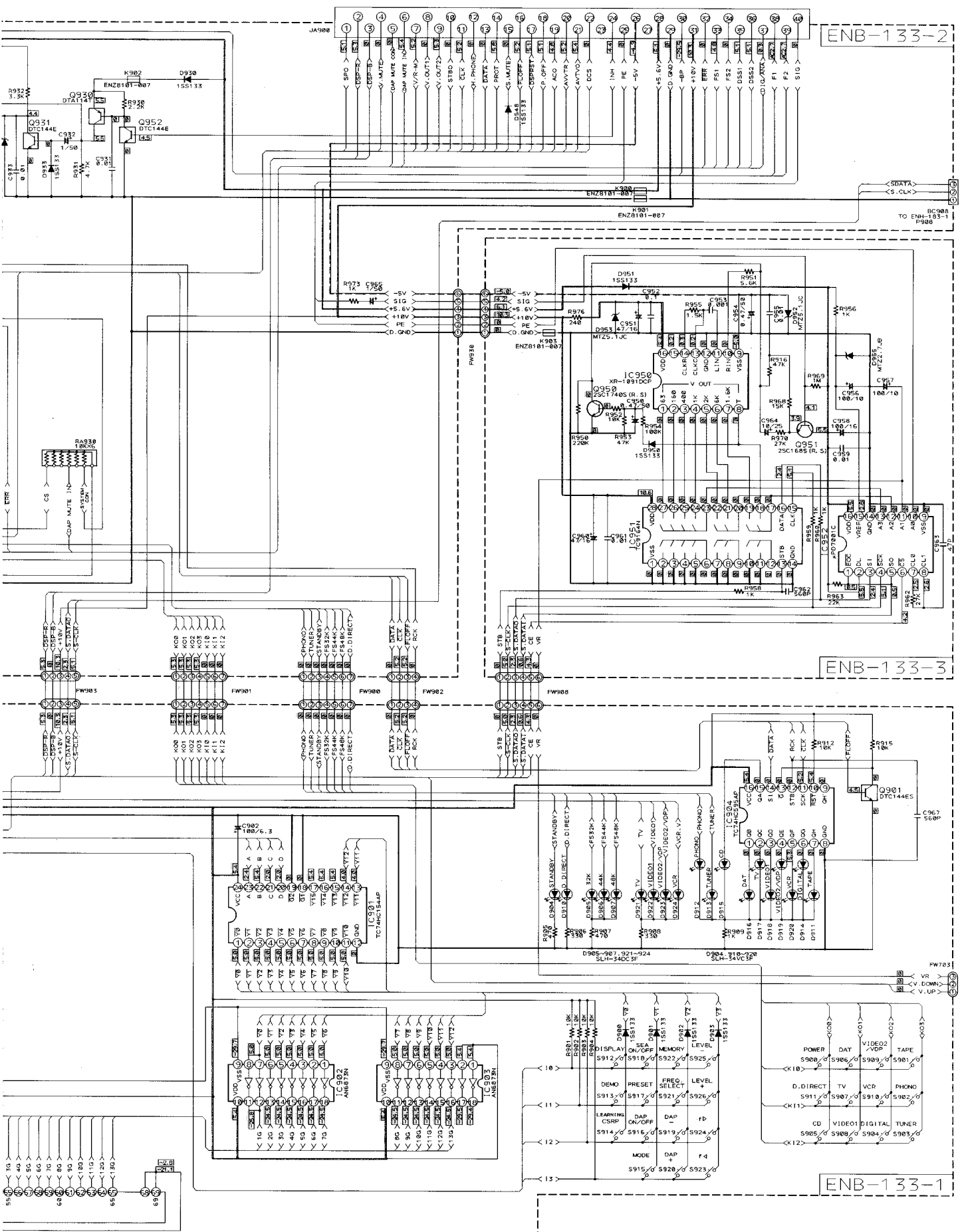


6
7
8
9
0
1
2
3





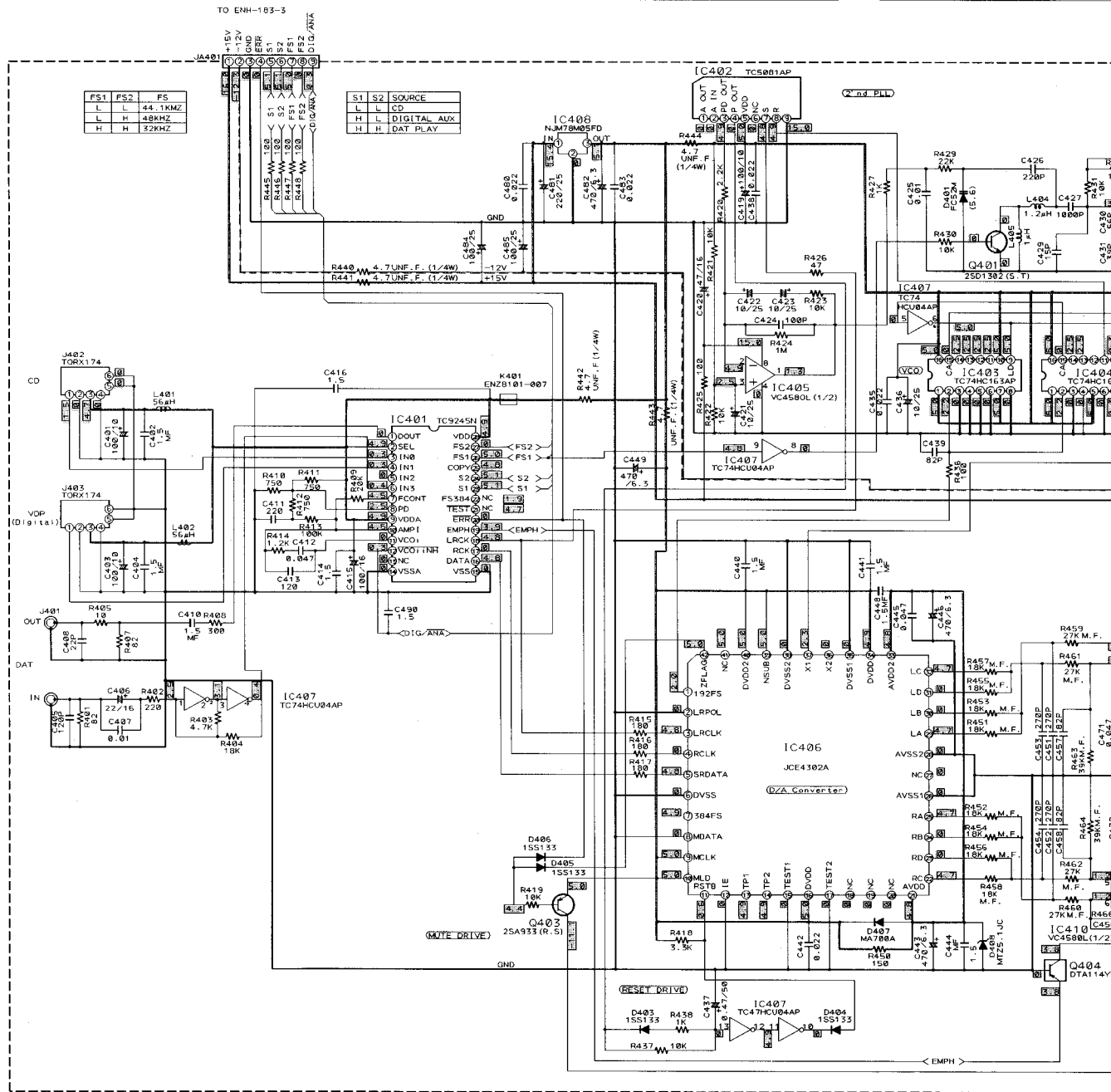
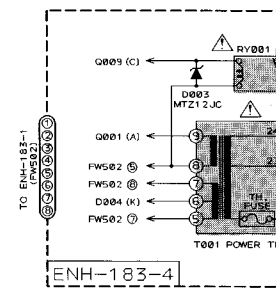
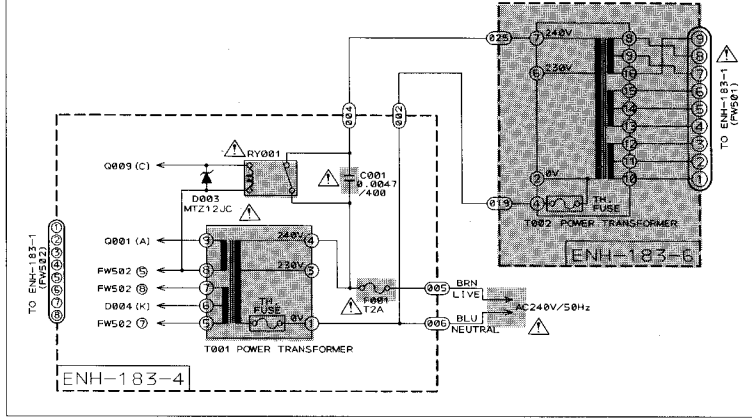
J K L M N O P Q R S



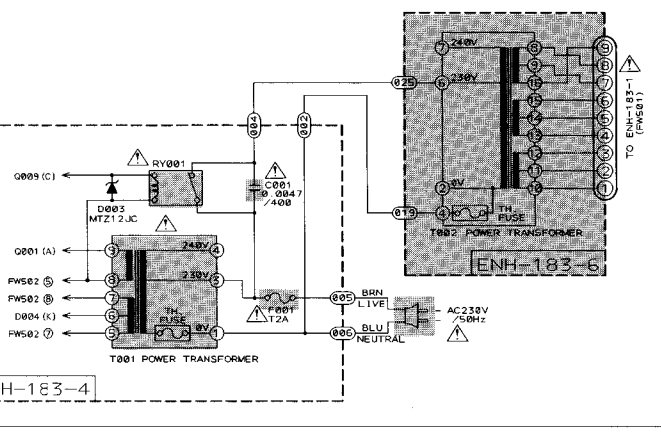
■ Digital Input/Output & Power Primary Section

(BS) FOR U.K.

(E) (EF) FOR C
(G) FOR F.R.C



(EF) FOR CONTINENTAL EUROPE
FOR F.R.GERMANY

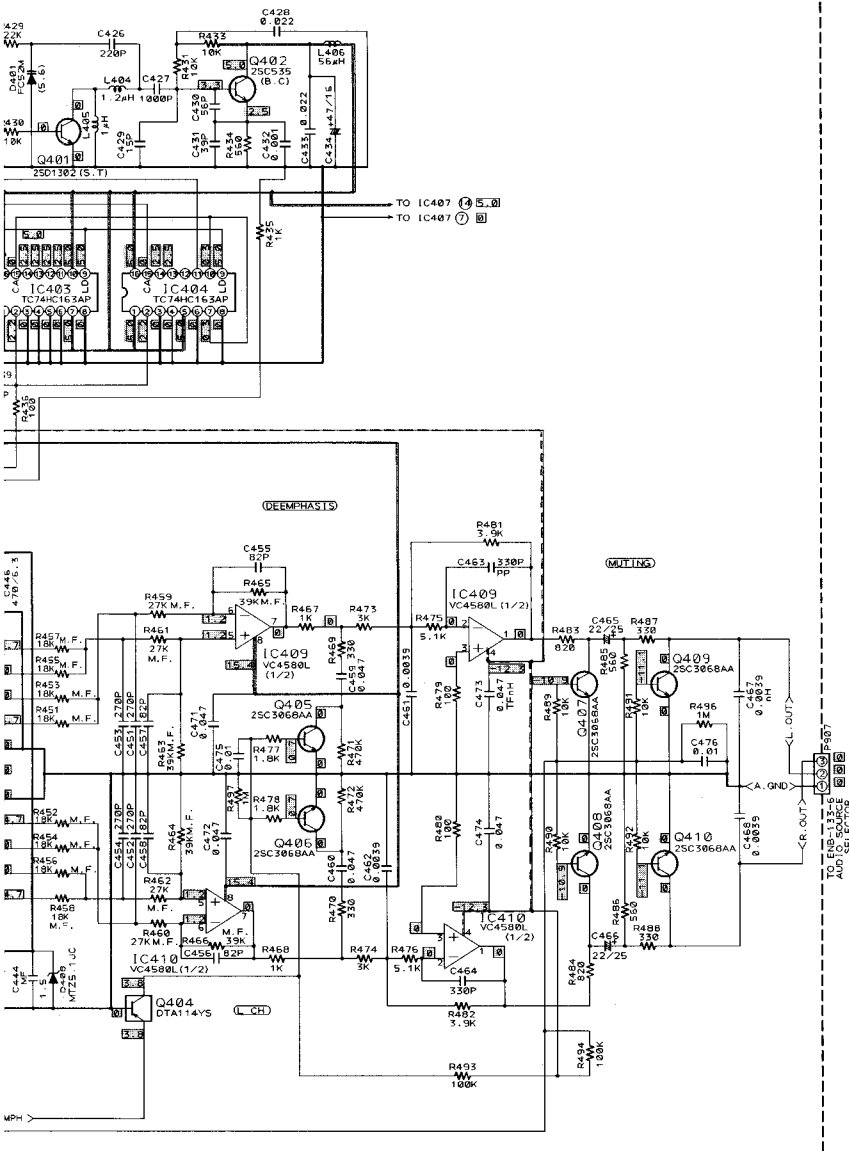


Notes :

1. Shows DC voltage to the chassis with no signal input.
2. indicates +B power supply.
3. indicates -B power supply.
4. indicates Front signal path.
5. indicates Rear signal path.
6. When replacing the parts in the darkened are () and those marked with , be sure to use the designated parts to ensure safety.
7. This is the standard circuit diagram.

The design and contents are subject to change without notice.

ENB-133-4

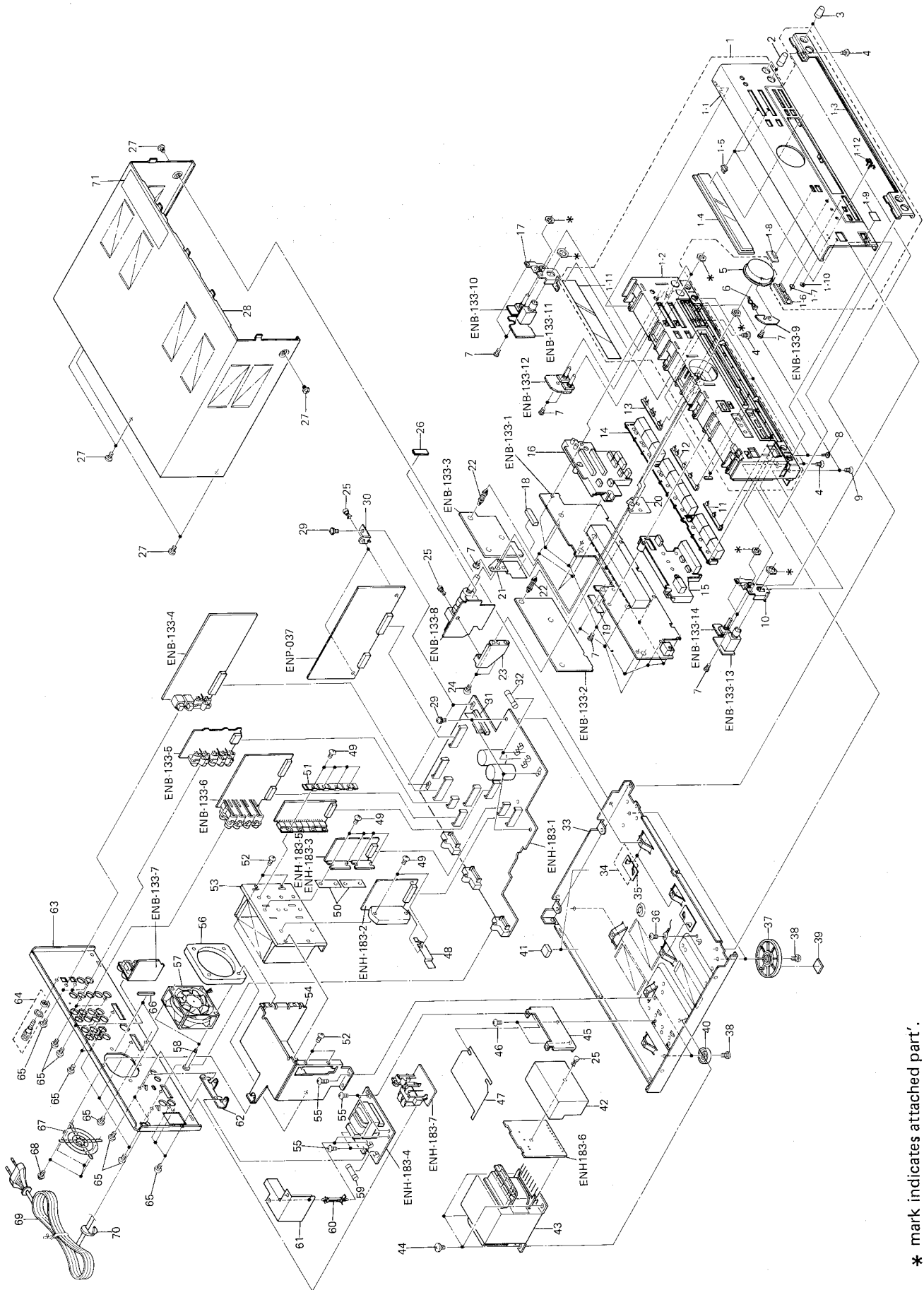


PARTS LIST


Contents






General Exploded View and Parts List	2-2
Printed Circuit Board Ass'y and Parts List	2-5
■ ENH-183 <input type="checkbox"/> Power Primary & Power Amplifier PC Board Ass'y	2-5
■ ENB-133 <input type="checkbox"/> System Control & Digital , Analog Input/ Output PC Board Ass'y	2-9
■ ENP-037 <input type="checkbox"/> DSP PC Board Ass'y	2-14








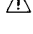
General Exploded View and Parts List



* mark indicates attached part.

 Parts List

	Item	Part Number	Part Name	Q'ty	Description	Areas
	1	EFP-AXE95TNE (S)	Front Panel Ass'y	1		
	1-1	E206935-003	Front Panel	1		
	1-2	E102366-003	Front Base	1		
	1-3	E307181-002	Ornament	1		
	1-4	E307193-003	Window Screen	1		
	1-5	E406300-002	Indicator	3		
	1-6	E406314-001	Indicator	1		
	1-7	E406315-001	Indicator	1		
	1-8	E406316-003	AI Lens	1		
	1-9	E406317-001	Remote Plate	1		
	1-10	E60912-003	Speed Nut	1		
	1-11	E70561-030	FL Screen	1		
	1-12	PQ42561	JVC Mark	1		
	2	E406312-001	Knob	2	BALANCE	
	3	E406313-001	Knob	2	MIC	
	4	SDSG3006M	Screw	5		
	5	E307183-002	Volume Knob	1		
	6	EWS142-002B	Socket Wire	1		
	7	SDSF2608Z	Screw	17		
	8	SPSG2606Z	Screw	2		
	9	SSST3006Z	Screw	2		
	10	E307188-002	Bracket	1		
	11	E307190-002	Indicator	1		
	12	E307191-002	Indicator	1		
	13	E307192-002	Indicator	1		
	14	E206941-003	Push Button	1	SOURCE	
	15	E206937-002	Push Button	1	POWER	
	16	E206939-002	Push Button	1	DAP	
	17	E307188-001	Bracket	1		
	18	E306805-017	Spacer	1		
	19	EXO050010N20S	Spacer	1		
	20	E406582-001	Shield Plate	1		
	21	E406555-001	Shield Bracket	1		
	22	E307112-001	Fastener	6		
	23	E307482-002	Volume Bracket	1		
	24	SBSF3008M	Screw	2		
	25	E48729-008	Plastic Rivet	4		
	26	EXO030007H03S	Spacer	1		
	27	E75440-001	Special Screw	6		
	28	E206945-005	Metal Cover	1		
	29	SBSG3012CC	Screw	6		
	30	E406346-001	Bracket	2		
	31	EWR1YE-35TT	Flat Cable	1	FC900	
	32	QMF51A2-2R0S	Fuse	2	F101, F102	E, EF, G
		QMF51E2-2R0SBS	Fuse	2	F101, F102	BS
	33	E102367-003	Chassis Base	1		
	34	E74925-001	Dolby Sheet	1		
	35	E406786-001	Protect Sheet	3		
	36	SBSG3006CC	Screw	1		
	37	E307171-002	Foot	2	Front	
	38	SBSG3008N	Screw	4	for Foot	
	39	E75896-001	Spacer	2	for Foot (Front)	
	40	E47227-023	Foot	2	Rear	
	41	E306805-018	Felt Spacer	2		
	42	E307659-002	Protect Cover	1		
	43	ETP1150-44EA	Power Transformer	1		E, EF, G
		ETP1150-44EABS	Power Transformer	1		BS
	44	E65389-004	Special Screw	4		
	45	E307187-001	Circuit Board Bracket	1		
	46	SBST3006Z	Screw	2		

	Item	Part Number	Part Name	Q'ty	Description	Areas
	47	E307483-002	Protect Cover	1	MS021 , MS022	
	48	E406357-003	Leaf Spring	1		
	49	SBSG3014CC	Screw	10		
	50	E75768-003	Mica Sheet	2		
	51	E406722-001	Leaf Spring	1		
	52	SBSG3008Z	Screw	4		
	53	E307657-001	Heat Sink	1		
	54	E307658-001	Heat Sink Cover	1		
	55	SBSG3008CC	Screw	6		
	56	E406699-003	Spacer	1		
 	57	MMF-06C24DL-RA1	Fan	1	F001 F001	E , EF , G BS
	58	E406737-001	Special Screw	4		
	59	QMF51A2-2R0S	Fuse	1		
	60	QMF51E2-2R0SBS	Fuse	1		
	61	E307656-002	Protect Cover	1		E , EF , G BS
	62	E406721-001	Bracket	1		
	63	E206943-005	Rear Panel	1		
	64	E70078-003	GND Terminal	1		
	65	E73273-003	Special Screw	18		E , EF
	66	EXO060004N30S02	Spacer	2		
	67	E406736-001	Fan Guard	1		
	68	GBSG3008M	Screw	4		
	69	QMP3900-200	Power Cord	1		
   		QMP39A0-200	Power Cord	1		G BS
		QMP9017-008BS	Power Cord	1		
	70	QHS3876-162	Cord Stopper	1		
		QHS3876-162BS	Cord Stopper	1		
	71	E67000-017	Caution Label	1		
	—	E61029-009	Number Label	1		
	—	E70028-001	Approval Label	1		E
	—	E74792-109	FTZ Label	1		G

The Marks for Designated Areas

E,EF.....Continental Europe

G.....Germany

BS.....the U.K.

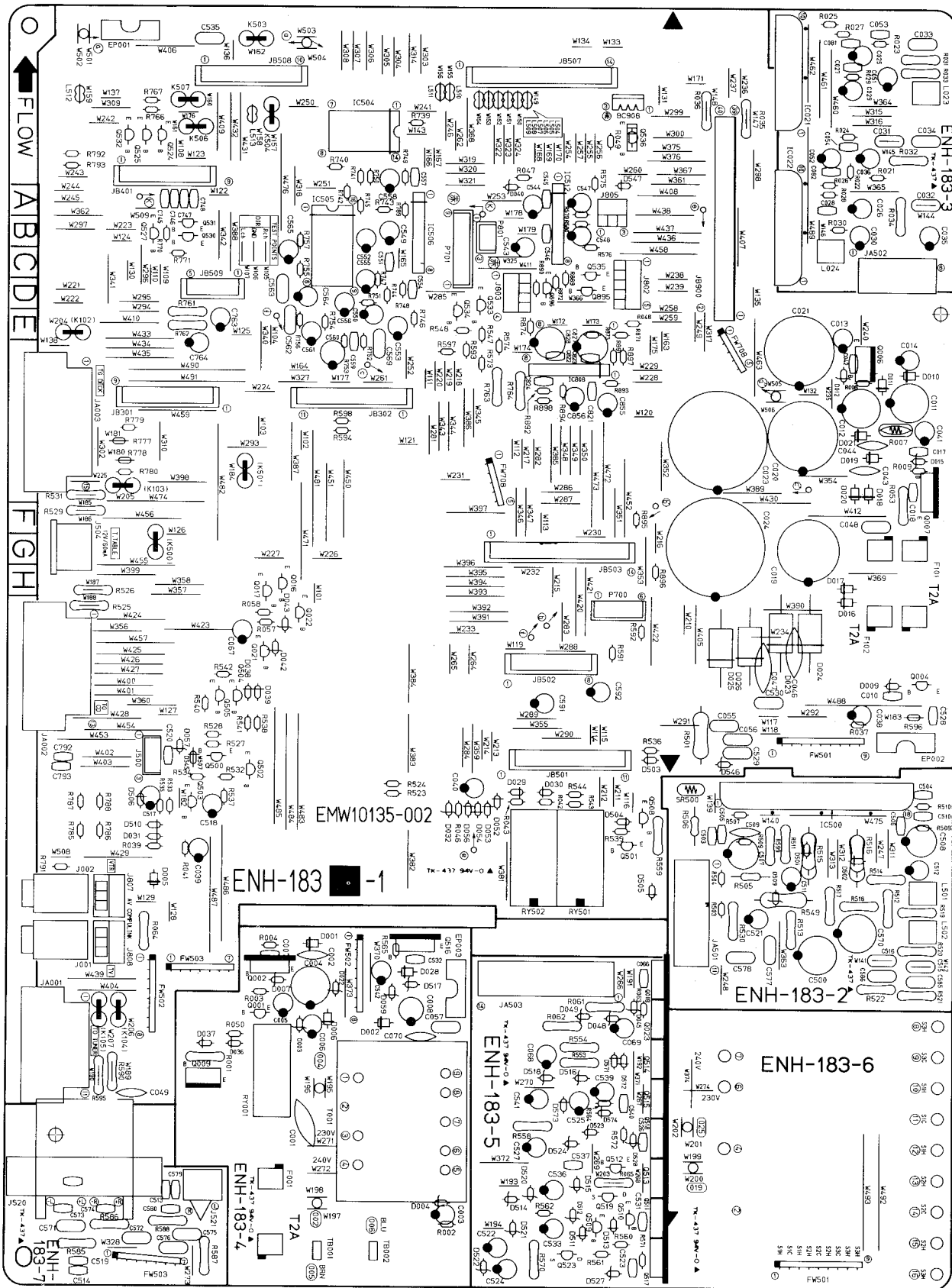
No mark indicates all areas.

 **Safety Parts**

Printed Circuit Board Ass'y and Parts List

■ ENH-183 □ Power Primary & Power Amplifier PC Board Ass'y

Note : ENH-183 □ varies according to the areas employed. See note (1) when placing an order.



Note (1)

PC Board Ass'y	Designated Areas
ENH-183 A	Continental Europe
ENH-183 B BS	the U.K.
ENH-183 C	Germany

Transistors

ITEM	PART NUMBER	DESCRIPTION	AREA
Q001	2SC1685(Q,R)	SILICON MATSUSHITA	
Q002	2SD2061(E,F)	SILICON ROHM	
Q004	2SC1685(Q,R)	SILICON MATSUSHITA	
Q006	2SB1357(E,F)	SILICON ROHM	
Q007	2SD1944(J,K)	SILICON ROHM	
Q009	2SB1357(E,F)	SILICON ROHM	
Q016	DTA114YS	SILICON ROHM	
Q017	DTA144ES	SILICON ROHM	
Q018	2SB1187(E,F)	SILICON ROHM	
Q021	DTA114YS	SILICON ROHM	
Q022	DTA144ES	SILICON ROHM	
Q023	2SD2061(E,F)	SILICON ROHM	
Q500	2SC2240(GR,BL)	SILICON TOSHIBA	
Q501	2SC1685(Q,R)	SILICON MATSUSHITA	
Q502	2SA733A(P,Q)	SILICON NEC	
Q503	2SC1740S(R,S)	SILICON ROHM	
Q504	2SC1740(R,S)	SILICON ROHM	
Q505	2SC1740(R,S)	SILICON ROHM	
Q508	2SC1685(Q,R)	SILICON MATSUSHITA	
Q509	2SC1685(Q,R)	SILICON MATSUSHITA	
Q510	2SA564A(Q,R)	SILICON MATSUSHITA	
Q511	2SB1187(F,G)	SILICON ROHM	
Q512	2SA564A(Q,R)	SILICON MATSUSHITA	
Q513	2SB1187(F,G)	SILICON ROHM	
Q514	2SD2061(E,F)	SILICON ROHM	
Q515	2SD2061(E,F)	SILICON ROHM	
Q516	2SD2061(E,F)	SILICON ROHM	
Q517	2SD1944(J,K)	SILICON ROHM	
Q518	2SB1187(F,G)	SILICON ROHM	
Q519	2SK246(GR)	F.E.T TOSHIBA	
Q523	2SK246(GR)	F.E.T TOSHIBA	
Q524	DTA144ES	SILICON ROHM	
Q525	DTA144ES	SILICON ROHM	
Q527	DTA144ES	SILICON ROHM	
Q530	2SD2144S(VW)	SILICON ROHM	
Q531	2SD2144S(VW)	SILICON ROHM	
Q532	DTA144ES	SILICON ROHM	
Q533	2SD2144S(VW)	SILICON ROHM	
Q534	2SD2144S(VW)	SILICON ROHM	
Q535	DTA144ES	SILICON ROHM	
Q536	DTA144ES	SILICON ROHM	
Q895	2SD2144S(VW)	SILICON ROHM	
Q896	2SD2144S(VW)	SILICON ROHM	

△ : SAFETY PARTS

I.C.s

ITEM	PART NUMBER	DESCRIPTION	AREA
IC021	UPC1188H	I.C. NEC	
IC022	UPC1188H	I.C. NEC	
IC500	STK4191MK5	I.C. SANYO	
IC504	LC4966	I.C. SANYO	
IC505	LA2730	I.C. SANYO	
IC506	BA15218N	I.C. ROHM	
IC512	XRA15218N	I.C. EXAR JAPAN	
IC808	XRA15218N	I.C. EXAR JAPAN	

△ : SAFETY PARTS

Diodes

ITEM	PART NUMBER	DESCRIPTION	AREA
D001	1SR139-200	SILICON ROHM	
D002	1SR139-200	SILICON ROHM	
D003	MTZ12JC	ZENER ROHM	
D004	MTZ5.1JC	ZENER ROHM	
D005	1SR139-200	SILICON ROHM	
D006	1SR139-200	SILICON ROHM	
D007	MTZ6.8JC	ZENER ROHM	
D009	MTZ5.6JC	ZENER ROHM	
D010	1SR139-200	SILICON ROHM	
D011	1SR139-200	SILICON ROHM	
D012	MTZ30JC	ZENER ROHM	
D015	MTZ13JC	ZENER ROHM	
D016	1SR139-200	SILICON ROHM	
D017	1SR139-200	SILICON ROHM	
D018	1SR139-200	SILICON ROHM	

△ : SAFETY PARTS

Diodes

ITEM	PART NUMBER	DESCRIPTION	AREA
D019	1SR139-200	SILICON ROHM	
D020	1SR139-200	SILICON ROHM	
D021	1SR139-200	SILICON ROHM	
D022	MTZ13JC	ZENER ROHM	
D023	30DL2FC	SILICON NIHONINTER	
D024	30DL2FC	SILICON NIHONINTER	
D025	30DL2FC	SILICON NIHONINTER	
D026	30DL2FC	SILICON NIHONINTER	
D028	1SR139-200	SILICON ROHM	
D029	1SS133	SILICON ROHM	
D030	1SS133	SILICON ROHM	
D031	1SS133	SILICON ROHM	
D032	MTZ5.1JC	ZENER ROHM	
D036	1SS133	SILICON ROHM	
D037	1SS133	SILICON ROHM	
D038	1SS133	SILICON ROHM	
D039	1SS133	SILICON ROHM	
D040	MTZ7.5JC	ZENER ROHM	
D042	MTZ7.5JC	ZENER ROHM	
D043	MTZ16JC	ZENER ROHM	
D045	MTZ16JC	ZENER ROHM	
D048	MTZ18JC	ZENER ROHM	
D052	1SS133	SILICON ROHM	
D053	1SS133	SILICON ROHM	
D054	1SS133	SILICON ROHM	
D056	1SS133	SILICON ROHM	
D057	MTZ27JC	ZENER ROHM	
D059	MTZ8.2JC	ZENER ROHM	
D501	1SS133	SILICON ROHM	
D502	1SS133	SILICON ROHM	
D503	1SS133	SILICON ROHM	
D504	1SS133	SILICON ROHM	
D505	1SS133	SILICON ROHM	
D506	1SS133	SILICON ROHM	
D509	RD9.1JSB3	ZENER NEC	
D510	1SS133	SILICON ROHM	
D511	1SS133	SILICON ROHM	
D512	RD12JSB3	ZENER NEC	
D513	1SS133	SILICON ROHM	
D514	MTZ13JC	ZENER ROHM	
D515	RD13JSB3	ZENER NEC	
D516	MTZ11JC	ZENER ROHM	
D517	MTZ7.5JC	ZENER ROHM	
D518	MTZ12JC	ZENER ROHM	
D520	MTZ13JC	ZENER ROHM	
D521	MTZ12JC	ZENER ROHM	
D522	MTZ15JC	ZENER ROHM	
D523	MTZ10JC	ZENER ROHM	
D545	1SS133	SILICON ROHM	
D547	1SS133	SILICON ROHM	
D571	1SS133	SILICON ROHM	
D572	1SS133	SILICON ROHM	
D573	1SS133	SILICON ROHM	
D574	1SS133	SILICON ROHM	

△ : SAFETY PARTS

Capacitors

ITEM	PART NUMBER	DESCRIPTION	AREA
C001	QCZ9050-472A	4700PF 400V CERAMIC	A
C001	QCZ9050-472ABS	4700PF 400V CERAMIC	BBS
C001	QCZ9050-472A	4700PF 400V CERAMIC	C
C002	QCF21HP-103	0.01MF 50V CERAMIC	
C003	QETB1HM-106	10MF 50V ELECTRO	
C004	QETB1EM-477	470MF 25V ELECTRO	
C005	QETB1AM-107	100MF 10V ELECTRO	
C006	QER51CM-226	22MF 16V ELECTRO	
C007	QCVB1CM-103	0.01MF 16V CERAMIC	
C008	QETB1HM-476	47MF 50V ELECTRO	
C010	QCVB1CM-103	0.01MF 16V CERAMIC	
C011	QETB1HM-227	220MF 50V ELECTRO	
C012	QETB1HM-227	220MF 50V ELECTRO	
C013	QETB1HM-226	22MF 50V ELECTRO	
C014	QETB1HM-226	22MF 50V ELECTRO	
C017	QCHB1EZ-223	0.022MF 25V CERAMIC	
C018	QCVB1CM-103	0.01MF 16V CERAMIC	
C019	QETB1VM-228N	2200MF 35V ELECTRO	
C020	QETB1VM-338	3300MF 35V ELECTRO	
C021	QETB1EM-338	3300MF 25V ELECTRO	
C023	EEW5608-878E	8700MF 56V ELECTRO	
C024	EEW5608-878E	8700MF 56V ELECTRO	
C025	QETB1EM-226	22MF 25V ELECTRO	
C026	QETB1EM-226	22MF 25V ELECTRO	
C027	QCSB1HJ-470	47PF 50V CERAMIC	
C028	QCSB1HJ-470	47PF 50V CERAMIC	
C029	QETB1HM-476	47MF 50V ELECTRO	
C030	QETB1HM-476	47MF 50V ELECTRO	
C031	QFVB1HJ-104N	0.1MF 50V T.FILM	
C032	QFVB1HJ-104N	0.1MF 50V T.FILM	
C033	QFVB1HJ-104N	0.1MF 50V T.FILM	
C034	QFVB1HJ-104N	0.1MF 50V T.FILM	
C035	QEK51HM-105G	1MF 50V ELECTRO	
C036	QEK51HM-105G	1MF 50V ELECTRO	
C038	QETB1HM-225	2.2MF 50V ELECTRO	

△ : SAFETY PARTS

Capacitors

Δ	ITEM	PART NUMBER	DESCRIPTION	AREA
	C039	QER51EM-106	10MF 25V ELECTRO	
	C040	QER50JM-476	47MF 6.3V ELECTRO	
	C042	QCVB1CM-103	0.01MF 16V CERAMIC	
	C043	QCF21HP-103	0.01MF 50V CERAMIC	
	C044	QCF21HP-103	0.01MF 50V CERAMIC	
	C047	QCE22HP-103	0.01MF 500V CERAMIC	
	C048	QFN81HJ-104	0.1MF 50V MYLAR	
	C051	QER61HM-475	4.7MF 50V ELECTRO	
	C052	QER61HM-475	4.7MF 50V ELECTRO	
	C053	QCBB1HK-271	270PF 50V CERAMIC	
	C054	QCBB1HK-271	270PF 50V CERAMIC	
	C057	QFV81HJ-104	0.1MF 50V T.FILM	
	C066	QCVB1CM-103	0.01MF 16V CERAMIC	
	C067	QEK51HM-106	10MF 50V ELECTRO	
	C068	QETB1EM-476	47MF 25V ELECTRO	
	C069	QETB1EM-226	22MF 25V ELECTRO	
	C503	QCBB1HK-101	100PF 50V CERAMIC	
	C504	QCBB1HK-101	100PF 50V CERAMIC	
	C505	QCBB1HK-820	82PF 50V CERAMIC	
	C506	QCBB1HK-820	82PF 50V CERAMIC	
	C507	EEZ2505-107	100MF 25V ELECTRO	
	C508	EEZ2505-107	100MF 25V ELECTRO	
	C509	QCSB1HK-4R7	4.7PF 50V CERAMIC	
	C510	QCSB1HK-4R7	4.7PF 50V CERAMIC	
	C511	QETB1HM-226	22MF 50V ELECTRO	
	C512	QETB1HM-226	22MF 50V ELECTRO	
	C515	QFVB1HJ-104N	0.1MF 50V T.FILM	
	C516	QFVB1HJ-104N	0.1MF 50V T.FILM	
	C517	QER51CM-226	22MF 16V ELECTRO	
	C518	QER50JM-476	47MF 6.3V ELECTRO	
	C520	QCVB1CM-103	0.01MF 16V CERAMIC	
	C521	QETB1CM-476	47MF 16V ELECTRO	
	C522	QETB1CM-226	22MF 16V ELECTRO	
	C523	QCVB1CM-103	0.01MF 16V CERAMIC	
	C524	QETB1EM-476	47MF 25V ELECTRO	
	C525	QETB1CM-226	22MF 16V ELECTRO	
	C526	QCVB1CM-103	0.01MF 16V CERAMIC	
	C530	QFV81HJ-104	0.1MF 50V T.FILM	
	C531	QCVB1CM-103	0.01MF 16V CERAMIC	
	C532	QCVB1CM-103	0.01MF 16V CERAMIC	
	C533	QETB1EM-106	10MF 25V ELECTRO	
	C536	QETB1CM-226	22MF 16V ELECTRO	
	C537	QCVB1CM-103	0.01MF 16V CERAMIC	
	C539	QETB1CM-226	22MF 16V ELECTRO	
	C540	QCVB1CM-103	0.01MF 16V CERAMIC	
	C541	QETB1CM-476	47MF 16V ELECTRO	
	C542	QETB1AM-476	47MF 10V ELECTRO	
	C543	QER51CM-476	47MF 16V ELECTRO	
	C544	QER51CM-476	47MF 16V ELECTRO	
	C547	QEK51EM-106	10MF 25V ELECTRO	
	C548	QEK51EM-106	10MF 25V ELECTRO	
	C549	QETB1HM-105	1MF 50V ELECTRO	
	C550	QETB1EM-106	10MF 25V ELECTRO	
	C551	QCBB1HK-471	470PF 50V CERAMIC	
	C552	QETB1HM-105	1MF 50V ELECTRO	
	C553	QETB1HM-105	1MF 50V ELECTRO	
	C554	QCSB1HJ-100	10PF 50V CERAMIC	
	C555	QETB1HM-105	1MF 50V ELECTRO	
	C556	QETB1HM-105	1MF 50V ELECTRO	
	C557	QCSB1HJ-100	10PF 50V CERAMIC	
	C558	QEK51CM-226	22MF 16V ELECTRO	
	C559	QCXB1CM-472	4700PF 16V CERAMIC	
	C560	QETB1CM-107	100MF 16V ELECTRO	
	C561	QETB1CM-226	22MF 16V ELECTRO	
	C562	QFV81HJ-333	0.033MF 50V T.FILM	
	C563	QFV81HJ-104	0.1MF 50V T.FILM	
	C564	QETB1HM-105	1MF 50V ELECTRO	
	C565	QEB51HM-334	0.33MF 50V LLC ELECTRO	
	C569	QFV81HJ-333	0.033MF 50V T.FILM	
	C570	QETB1HM-476	47MF 50V ELECTRO	
	C571	QFN81HJ-103	0.01MF 50V MYLAR	
	C572	QFN81HJ-103	0.01MF 50V MYLAR	
	C573	QCBB1HK-221	220PF 50V CERAMIC	
	C574	QCBB1HK-221	220PF 50V CERAMIC	
	C575	QFN81HJ-103	0.01MF 50V MYLAR	
	C576	QFN81HJ-103	0.01MF 50V MYLAR	
	C577	QFV81HJ-473	0.047MF 50V T.FILM	
	C578	QFV81HJ-473	0.047MF 50V T.FILM	
	C579	QCBB1HK-221	220PF 50V CERAMIC	
	C580	QCBB1HK-221	220PF 50V CERAMIC	
	C585	QFVB1HJ-104N	0.1MF 50V T.FILM	
	C586	QFVB1HJ-104N	0.1MF 50V T.FILM	
	C591	EEZ5009-106	10MF 50V ELECTRO	
	C592	EEZ5009-106	10MF 50V ELECTRO	
	C745	QCGB1HK-102	1000PF 50V CERAMIC	
	C746	QCGB1HK-102	1000PF 50V CERAMIC	
	C747	QCGB1HK-102	1000PF 50V CERAMIC	
	C748	QCGB1HK-102	1000PF 50V CERAMIC	
	C763	QETB1EM-476	47MF 25V ELECTRO	
	C764	QER51CM-476	47MF 16V ELECTRO	
	C792	QCGB1HK-102	1000PF 50V CERAMIC	
	C793	QCGB1HK-102	1000PF 50V CERAMIC	
	C821	QCBB1HK-101	100PF 50V CERAMIC	
	C822	QCBB1HK-101	100PF 50V CERAMIC	
	C823	QCSB1HJ-470	47PF 50V CERAMIC	

Δ SAFETY PARTS

Capacitors

Δ	ITEM	PART NUMBER	DESCRIPTION	AREA
	C824	QCSB1HJ-470	47PF 50V CERAMIC	
	C827	QETB1EM-227	220MF 25V ELECTRO	
	C828	QETB1EM-227	220MF 25V ELECTRO	
	C855	QETB1HM-106	10MF 50V ELECTRO	
	C856	QETB1HM-106	10MF 50V ELECTRO	

Δ SAFETY PARTS

Resistors

Δ	ITEM	PART NUMBER	DESCRIPTION	AREA
	R001	QRD14CJ-100S	10 1/4W UNF. CARBON	
	R002	QRD167J-473	47K 1/6W CARBON	
	R003	QRD167J-222	2.2K 1/6W CARBON	
	R004	QRD167J-222	2.2K 1/6W CARBON	
	R007	PTH61G25AR4R7M	4.7 POSISTOR	
	R008	QRD167J-332	3.3K 1/6W CARBON	
	R009	QRD167J-122	1.2K 1/6W CARBON	
	R021	QRD167J-221	220 1/6W CARBON	
	R022	QRD167J-221	220 1/6W CARBON	
	R023	QRD167J-103	10K 1/6W CARBON	
	R024	QRD167J-103	10K 1/6W CARBON	
	R025	QRD167J-103	10K 1/6W CARBON	
	R026	QRD167J-103	10K 1/6W CARBON	
	R027	QRD167J-201	200 1/6W CARBON	
	R028	QRD167J-201	200 1/6W CARBON	
	R029	QRD167J-104	100K 1/6W CARBON	
	R030	QRD167J-104	100K 1/6W CARBON	
	R031	QRD14CJ-100S	10 1/4W UNF. CARBON	
	R032	QRD14CJ-100S	10 1/4W UNF. CARBON	
	R033	QRD14CJ-100S	10 1/4W UNF. CARBON	
	R034	QRD14CJ-100S	10 1/4W UNF. CARBON	
	R037	QRD167J-104	100K 1/6W CARBON	
	R039	QRD167J-332	3.3K 1/6W CARBON	
	R041	QRD167J-682	6.8K 1/6W CARBON	
	R042	QRD167J-224	220K 1/6W CARBON	
	R043	QRD167J-224	220K 1/6W CARBON	
	R046	QRD167J-103	10K 1/6W CARBON	
	R047	QRD167J-471	470 1/6W CARBON	
	R048	QRD167J-473	47K 1/6W CARBON	
	R049	QRD167J-104	100K 1/6W CARBON	
	R050	QRD167J-682	6.8K 1/6W CARBON	
	R053	QRD14CJ-2R2S	2.2 1/4W UNF. CARBON	
	R057	QRD167J-222	2.2K 1/6W CARBON	
	R058	QRD167J-103	10K 1/6W CARBON	
	R061	QRD14CJ-4R7S	4.7 1/4W UNF. CARBON	
	R062	QRZ0077-4R7	4.7 1/4W FUSIBLE	
	R063	QRD167J-122	1.2K 1/6W CARBON	
	R064	QRZ0077-4R7	4.7 1/4W FUSIBLE	
	R501	QRG022J-391A	390 2W O.M. FILM	
	R503	QRD167J-104	100K 1/6W CARBON	
	R504	QRD167J-104	100K 1/6W CARBON	
	R505	ERD003J-471	470 1/4W CARBON	
	R506	ERD003J-471	470 1/4W CARBON	
	R507	QRD167J-391	390 1/6W CARBON	
	R508	QRD167J-391	390 1/6W CARBON	
	R509	QRD167J-104	100K 1/6W CARBON	
	R510	QRD167J-104	100K 1/6W CARBON	
	R511	QRD14CJ-332S	3.3K 1/4W UNF. CARBON	
	R512	QRD14CJ-332S	3.3K 1/4W UNF. CARBON	
	R513	QRD14CJ-332S	3.3K 1/4W UNF. CARBON	
	R514	QRD14CJ-332S	3.3K 1/4W UNF. CARBON	
	R515	QRX012J-R22AM	0.22 1W M.FILM	
	R516	QRX012J-R22AM	0.22 1W M.FILM	
	R517	QRD14CJ-101S	100 1/4W UNF. CARBON	
	R518	QRZ0077-100	10 1/4W FUSIBLE	
	R519	QRD14CJ-100S	10 1/4W UNF. CARBON	
	R520	QRD14CJ-100S	10 1/4W UNF. CARBON	
	R521	QRD14CJ-100S	10 1/4W UNF. CARBON	
	R522	QRD14CJ-100S	10 1/4W UNF. CARBON	
	R523	QRD167J-104	100K 1/6W CARBON	
	R524	QRD167J-823	82K 1/6W CARBON	
	R527	QRD167J-223	22K 1/6W CARBON	
	R528	QRD167J-223	22K 1/6W CARBON	
	R530	QRD14CJ-100S	10 1/4W UNF. CARBON	
	R532	QRD167J-104	100K 1/6W CARBON	
	R533	QRD167J-103	10K 1/6W CARBON	
	R534	QRD167J-332	3.3K 1/6W CARBON	
	R535	QRD167J-222	2.2K 1/6W CARBON	
	R536	QRD167J-222	2.2K 1/6W CARBON	
	R537	QRD167J-104	100K 1/6W CARBON	
	R538	QRD167J-681	680 1/6W CARBON	
	R539	QRD167J-472	4.7K 1/6W CARBON	
	R540	QRD167J-181	180 1/6W CARBON	
	R541	QRD167J-362	3.6K 1/6W CARBON	
	R542	QRD167J-820	82 1/6W CARBON	
	R543	QRD167J-104	100K 1/6W CARBON	
	R544	QRD167J-823	82K 1/6W CARBON	
	R547	QRD167J-103	10K 1/6W CARBON	
	R548	QRD167J-103	10K 1/6W CARBON	
	R549	QRG022J-272A	2.7K 2W O.M. FILM	

Δ SAFETY PARTS

Resistors

△	ITEM	PART NUMBER	DESCRIPTION	AREA
△	R553	QRD14CJ-1R5S	1.5 1/4W UNF. CARBON	
△	R554	QRD14CJ-1R5S	1.5 1/4W UNF. CARBON	
△	R558	QRD14CJ-1R5S	1.5 1/4W UNF. CARBON	
△	R559	QRD12CJ-221S	220 1/2W R. NETWORK	
	R560	QRD167J-332	3.3K 1/6W CARBON	
	R561	QRD167J-332	3.3K 1/6W CARBON	
	R562	QRD167J-472	4.7K 1/6W CARBON	
	R564	QRD167J-222	2.2K 1/6W CARBON	
	R565	QRD167J-102	1K 1/6W CARBON	
△	R570	QRD14CJ-2R2S	2.2 1/4W UNF. CARBON	
	R571	QRD167J-122	1.2K 1/6W CARBON	
	R572	QRD167J-202	2K 1/6W CARBON	
	R573	QRD167J-332	3.3K 1/6W CARBON	
	R574	QRD167J-332	3.3K 1/6W CARBON	
	R575	QRD167J-472	4.7K 1/6W CARBON	
	R576	QRD167J-472	4.7K 1/6W CARBON	
	R579	QRD167J-104	100K 1/6W CARBON	
	R580	QRD167J-104	100K 1/6W CARBON	
△	R585	QRD14CJ-100S	10 1/4W UNF. CARBON	
△	R586	QRD14CJ-100S	10 1/4W UNF. CARBON	
△	R587	QRD14CJ-100S	10 1/4W UNF. CARBON	
△	R588	QRD14CJ-100S	10 1/4W UNF. CARBON	
	R591	QRD167J-102	1K 1/6W CARBON	
	R592	QRD167J-102	1K 1/6W CARBON	
	R593	QRD167J-472	4.7K 1/6W CARBON	
	R594	QRD167J-472	4.7K 1/6W CARBON	
	R597	QRD167J-104	100K 1/6W CARBON	
	R598	QRD167J-104	100K 1/6W CARBON	
△	R599	QRD14CJ-100S	10 1/4W UNF. CARBON	
	R739	QRD167J-471	470 1/6W CARBON	
	R740	QRD167J-471	470 1/6W CARBON	
	R741	QRD167J-153	15K 1/6W CARBON	
	R742	QRD167J-272	2.7K 1/6W CARBON	
	R743	QRD167J-223	22K 1/6W CARBON	
	R744	QRD167J-103	10K 1/6W CARBON	
	R745	QRD167J-683	68K 1/6W CARBON	
	R746	QRD167J-333	33K 1/6W CARBON	
	R747	QRD167J-153	15K 1/6W CARBON	
	R748	QRD167J-223	22K 1/6W CARBON	
	R749	QRD167J-392	3.9K 1/6W CARBON	
	R750	QRD167J-104	100K 1/6W CARBON	
	R751	QRD167J-104	100K 1/6W CARBON	
	R752	QRD167J-181	180 1/6W CARBON	
	R753	QRD167J-473	47K 1/6W CARBON	
	R754	QRD167J-332	3.3K 1/6W CARBON	
	R755	QRD167J-274	270K 1/6W CARBON	
	R756	QRD167J-622	6.2K 1/6W CARBON	
	R757	QRD167J-274	270K 1/6W CARBON	
△	R761	QRZ0077-680	68 1/4W FUSIBLE	
△	R762	QRZ0077-680	68 1/4W FUSIBLE	
△	R763	QRZ0077-680	68 1/4W FUSIBLE	
△	R764	QRZ0077-680	68 1/4W FUSIBLE	
	R766	QRD167J-223	22K 1/6W CARBON	
	R767	QRD167J-222	2.2K 1/6W CARBON	
	R770	QRD167J-103	10K 1/6W CARBON	
	R771	QRD167J-103	10K 1/6W CARBON	
	R779	QRD167J-562	5.6K 1/6W CARBON	
	R780	QRD167J-562	5.6K 1/6W CARBON	
	R785	QRD167J-152	1.5K 1/6W CARBON	
	R786	QRD167J-152	1.5K 1/6W CARBON	
	R787	QRD167J-103	10K 1/6W CARBON	
	R788	QRD167J-103	10K 1/6W CARBON	
	R789	QRD167J-392	3.9K 1/6W CARBON	
	R791	QRD167J-102	1K 1/6W CARBON	
	R792	QRD167J-221	220 1/6W CARBON	
	R793	QRD167J-221	220 1/6W CARBON	
	R871	QRD167J-223	22K 1/6W CARBON	
	R872	QRD167J-223	22K 1/6W CARBON	
	R873	QRD167J-470	47 1/6W CARBON	
	R874	QRD167J-470	47 1/6W CARBON	
	R889	QRD167J-103	10K 1/6W CARBON	
	R890	QRD167J-103	10K 1/6W CARBON	
	R891	QRD167J-222	2.2K 1/6W CARBON	
	R892	QRD167J-222	2.2K 1/6W CARBON	
	R893	QRD167J-393	39K 1/6W CARBON	
	R894	QRD167J-393	39K 1/6W CARBON	
	R895	QRD167J-471	470 1/6W CARBON	
	R896	QRD167J-471	470 1/6W CARBON	
	R897	QRD167J-151	150 1/6W CARBON	
	R898	QRD167J-151	150 1/6W CARBON	

△ : SAFETY PARTS

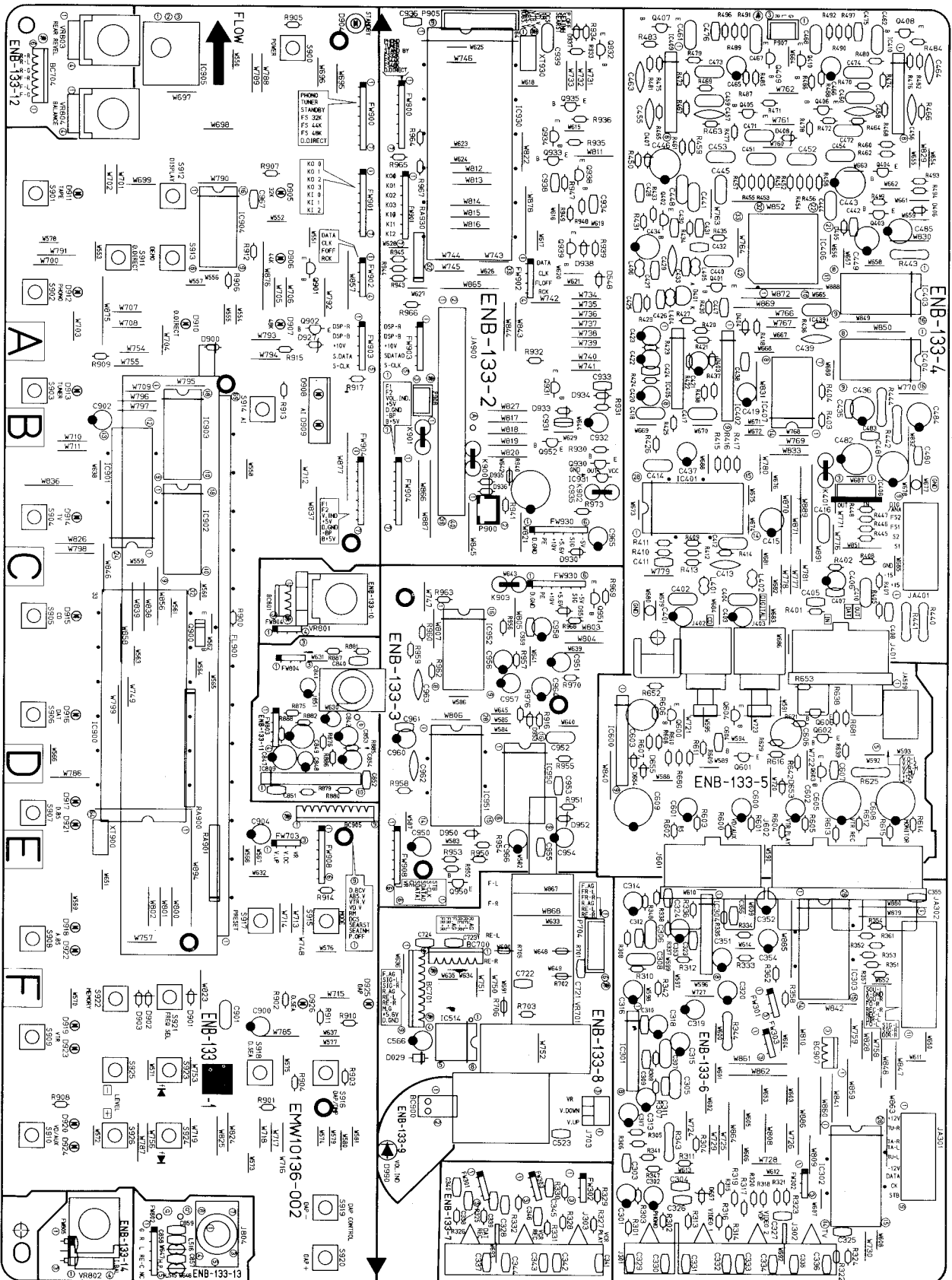
Others

△	ITEM	PART NUMBER	DESCRIPTION	AREA
		E33754-001	TIE BAND	
		EMW10135-002	CIRCUIT BOARD	A
		EMW10135-002BS	CIRCUIT BOARD	BBS
		EMW10135-002	CIRCUIT BOARD	C
	J001	QMS3L10-0A0	MINI JACK (AV COMPULINK TV)	
	J002	QMS3L10-0A0	MINI JACK (AV COMPULINK VTR)	
	J500	EMV5111-003	PLUG ASSY (3PIN)	
	J504	QMA1221-009	DC JACK (T. TABLE)	
	J520	EMB90TV-402A	SPEAKER TERMINAL	
	J521	EMN00TV-201A	2P PIN JACK	
	J802	EMV7122-005	CONNECTOR (5PIN)	
	J803	EMV7122-004	CONNECTOR (4PIN)	
	J805	EMV7122-103	CONNECTOR (3PIN)	
	J807	VMC0107-003	CONNECT TERMINAL	
	J808	VMC0107-003	CONNECT TERMINAL	
	K500	ENZ8101-007	INDUCTOR	
	K503	ENZ8101-007	INDUCTOR	
	K506	ENZ8101-007	INDUCTOR	
	K507	ENZ8101-007	INDUCTOR	
	L023	EGL0001-R45	INDUCTOR	
	L024	EGL0001-R45	INDUCTOR	
	L501	EGL0001-R45	INDUCTOR	
	L502	EGL0001-R45	INDUCTOR	
	L513	EGL4004-R22	INDUCTOR	
	P700	EMV5109-006A	PLUG ASSY (6PIN)	
	P701	EMV5109-009A	PLUG ASSY (9PIN)	
	P801	EMV5109-003A	PLUG ASSY (3PIN)	
△	T001	ETP1000-48EB	POWER TRANSFORMER	A
△	T001	ETP1000-48EBBS	POWER TRANSFORMER	BBS
△	T001	ETP1000-48EB	POWER TRANSFORMER	C
	BC908	EWS293-0136	SOCKET WIRE (3PIN)	
	EP002	E70859-001	EARTH PLATE	
	EP003	E70859-001	EARTH PLATE	
	FT001	EMG7331-002	FUSE CLIP	
	FT002	EMG7331-002U	FUSE CLIP	
	FT003	EMG7331-002	FUSE CLIP	
	FT004	EMG7331-002	FUSE CLIP	
	FT005	EMG7331-002U	FUSE CLIP	
	FT006	EMG7331-002U	FUSE CLIP	
	FW501	EWR39E-20SS1	FLAT WIRE (9PIN)	
	FW502	EWR38E-13SS1	FLAT WIRE (8PIN)	
	FW503	EWR37E-20SS1	FLAT WIRE (7PIN)	
	FW708	EWR35B-13SS1	FLAT WIRE (5PIN)	
	JA001	EMV7127-011	CONNECTOR (11PIN)	
	JA002	EMV7127-013	CONNECTOR (13PIN)	
	JA003	EMV7127-015	CONNECTOR (15PIN)	
	JA501	EMV7125-011R	CONNECTOR (11PIN)	
	JA502	EMV7125-008R	CONNECTOR (8PIN)	
	JA503	EMV7125-014R	CONNECTOR (14PIN)	
	JB301	EMV5125-009	PLUG ASSY (9PIN)	
	JB302	EMV5125-011	PLUG ASSY (11PIN)	
	JB401	EMV5125-009	PLUG ASSY (9PIN)	
	JB501	EMV5125-011	PLUG ASSY (11PIN)	
	JB502	EMV5125-008	PLUG ASSY (8PIN)	
	JB503	EMV5125-014	PLUG ASSY (14PIN)	
	JB507	EMV5125-014	PLUG ASSY (14PIN)	
	JB508	EMV5125-010	PLUG ASSY (10PIN)	
	JB509	EMV5125-005	PLUG ASSY (5PIN)	
	JB900	EMV7123-040	CONNECTOR (40PIN)	
	RY001	ESK1D12-118J1	RELAY	A
	RY001	ESK1D12-118J1BS	RELAY	BBS
	RY001	ESK1D12-118J1	RELAY	C
	RY501	ESK7D24-2120	RELAY	
	RY502	ESK7D24-2120	RELAY	
	SR500	ERT-D2WHK202S	NEGATIVE THERMISTOR	
	TB001	E65508-002	TAB	
	TB002	E65508-002	TAB	

△ : SAFETY PARTS

■ENB-133 □ System Control & Digital, Analog Input/Output PC Board Ass'y

Note : ENB-133 □ varies according to the areas employed. See note (1) when placing an order.



Note (1)

PC Board Ass'y	Designated Areas
ENB-133 A	Continental Europe
ENB-133 B	the U.K.
ENB-133 C	Germany

Transistors

ITEM	PART NUMBER	DESCRIPTION	AREA
Q401	2SD1302(S,T)	SILICON MATSUSHITA	
Q402	2SC535(B,C)	SILICON HITACHI	
Q403	2SA933S(R,S)	SILICON ROHM	
Q404	DTA114TS	SILICON ROHM	
Q405	2SC3068	SILICON SANYO	
Q406	2SC3068	SILICON SANYO	
Q407	2SC3068	SILICON SANYO	
Q408	2SC3068	SILICON SANYO	
Q409	2SC3068	SILICON SANYO	
Q410	2SC3068	SILICON SANYO	
Q600	2SC458(C)	SILICON HITACHI	
Q601	2SA933(S)	SILICON ROHM	
Q602	2SC458(C)	SILICON HITACHI	
Q603	2SA933(S)	SILICON ROHM	
Q604	DTC114YS	SILICON ROHM	
Q606	DTC114YS	SILICON ROHM	
Q900	DTC114TFF	SILICON ROHM	
Q901	DTC144ES	SILICON ROHM	
Q902	2SC1740S(R,S)	SILICON ROHM	
Q930	DTA114TS	SILICON ROHM	
Q931	DTC144ES	SILICON ROHM	
Q932	DTC144ES	SILICON ROHM	
Q933	DTC144ES	SILICON ROHM	
Q934	DTC144TS	SILICON ROHM	
Q935	DTC144ES	SILICON ROHM	
Q938	2SC1685(R,S)	SILICON MATSUSHITA	
Q939	DTA114YS	SILICON ROHM	
Q950	2SC1740S(R,S)	SILICON ROHM	
Q951	2SC1685(R,S)	SILICON MATSUSHITA	
Q952	DTC144ES	SILICON ROHM	

△ : SAFETY PARTS

I.C.s

ITEM	PART NUMBER	DESCRIPTION	AREA
IC301	VC4580LD	I.C. DAINICHI	
IC302	TC9164N	I.C. TOSHIBA	
IC303	TC9163N	I.C. TOSHIBA	
IC304	XRA15218N	I.C. EXAR JAPAN	
IC401	TC9245N	I.C. TOSHIBA	
IC402	TC5081AP	I.C. TOSHIBA	
IC403	TC74HC163AP	I.C. TOSHIBA	
IC404	TC74HC163AP	I.C. TOSHIBA	
IC405	VC4580L	I.C. DAINICHI	
IC406	JCE4302A	I.C. MATSUSHITA	
IC407	TC74HCU04AP	I.C. TOSHIBA	
IC408	NJM78M05FD	I.C. DAINICHI	
IC409	VC4580L	I.C. DAINICHI	
IC410	VC4580L	I.C. DAINICHI	
IC514	LB1639-CV	I.C. SANYO	
IC600	LA7952	I.C. SANYO	
IC809	BA3312N	I.C. ROHM	
IC900	MN171202JPG	I.C. MATSUSHITA	
IC901	TC74HC154AP	I.C. TOSHIBA	
IC902	AN6873N	I.C. MATSUSHITA	
IC903	AN6873N	I.C. MATSUSHITA	
IC904	TC74HC595AP	I.C. TOSHIBA	
IC905	GP1U501X	I.C. SHARP	
IC930	MN171202JPF	I.C. MATSUSHITA	
IC950	XR-1091DCP	I.C. EXAR JAPAN	
IC951	TC9164N	I.C. TOSHIBA	
IC952	UPD7001C	I.C. NEC	

△ : SAFETY PARTS

Diodes

ITEM	PART NUMBER	DESCRIPTION	AREA
D029	1SR139-200	SILICON ROHM	
D401	FC52M(5,6)	VARICAP FUJITSU	
D403	1SS133	SILICON ROHM	
D404	1SS133	SILICON ROHM	
D405	1SS133	SILICON ROHM	
D406	1SS133	SILICON ROHM	
D407	MA700	ZENER MATSUSHITA	
D408	MTZ5.1JB	ZENER ROHM	
D548	1SS133	SILICON ROHM	
D653	1SS133	SILICON ROHM	

△ : SAFETY PARTS

Diodes

ITEM	PART NUMBER	DESCRIPTION	AREA
D654	1SS133	SILICON ROHM	
D655	1SS133	SILICON ROHM	
D657	MTZ3.9JB	ZENER ROHM	
D900	1SS133	SILICON ROHM	
D901	1SS133	SILICON ROHM	
D902	1SS133	SILICON ROHM	
D903	1SS133	SILICON ROHM	
D904	SLR-34VC3F	L.E.D. ROHM	A
D904	SLA-580LT3F	L.E.D. ROHM	B
D904	SLR-34VC3F	L.E.D. ROHM	C
D905	SLH-34DC3F	L.E.D. ROHM	
D906	SLH-34DC3F	L.E.D. ROHM	
D907	SLH-34DC3F	L.E.D. ROHM	
D908	SLV-31YC3F	L.E.D. ROHM	
D909	SLV-31YC3F	L.E.D. ROHM	
D910	SLH-34VC3F	L.E.D. ROHM	
D911	SLH-34VC3F	L.E.D. ROHM	
D912	SLH-34VC3F	L.E.D. ROHM	
D913	SLH-34VC3F	L.E.D. ROHM	
D914	SLH-34VC3F	L.E.D. ROHM	
D915	SLH-34VC3F	L.E.D. ROHM	
D916	SLH-34VC3F	L.E.D. ROHM	
D917	SLH-34VC3F	L.E.D. ROHM	
D918	SLH-34VC3F	L.E.D. ROHM	
D919	SLH-34VC3F	L.E.D. ROHM	
D920	SLH-34VC3F	L.E.D. ROHM	
D921	SLH-34DC3F	L.E.D. ROHM	
D922	SLH-34DC3F	L.E.D. ROHM	
D923	SLH-34DC3F	L.E.D. ROHM	
D924	SLH-34DC3F	L.E.D. ROHM	
D925	SLR-34VC3F	L.E.D. ROHM	
D926	SLR-34VC3F	L.E.D. ROHM	
D927	MTZ5.6JC	ZENER ROHM	
D930	1SS133	SILICON ROHM	
D933	1SS133	SILICON ROHM	
D934	MTZ5.1JC	ZENER ROHM	
D935	1SS133	SILICON ROHM	
D936	1SS133	SILICON ROHM	
D937	1SS133	SILICON ROHM	
D938	1SS133	SILICON ROHM	
D950	1SS133	SILICON ROHM	
D951	1SS133	SILICON ROHM	
D952	MTZ5.1JC	ZENER ROHM	
D953	MTZ5.1JC	ZENER ROHM	
D955	MTZ2.7JB	ZENER ROHM	
D956	MTZ2.7JB	ZENER ROHM	
D990	LN282RPX	L.E.D. MATSUSHITA	

△ : SAFETY PARTS

Capacitors

ITEM	PART NUMBER	DESCRIPTION	AREA
C301	QETB1HM-475	4.7MF 50V ELECTRO	
C302	QETB1HM-475	4.7MF 50V ELECTRO	
C303	QCBB1HK-101	100PF 50V CERAMIC	
C304	QCBB1HK-101	100PF 50V CERAMIC	
C305	QFN81HJ-182	1800PF 50V MYLAR	
C306	QFN81HJ-182	1800PF 50V MYLAR	
C307	QFN81HJ-682	6800PF 50V MYLAR	
C308	QFN81HJ-682	6800PF 50V MYLAR	
C309	QCBB1HK-101	100PF 50V CERAMIC	
C310	QCBB1HK-101	100PF 50V CERAMIC	
C311	QCBB1HK-101	100PF 50V CERAMIC	
C312	QCBB1HK-101	100PF 50V CERAMIC	
C313	QETB1HM-475	4.7MF 50V ELECTRO	
C314	QETB1HM-475	4.7MF 50V ELECTRO	
C315	QETB1EM-476	47MF 25V ELECTRO	
C316	QETB1EM-476	47MF 25V ELECTRO	
C317	QETB1EM-476	47MF 25V ELECTRO	
C318	QETB1EM-476	47MF 25V ELECTRO	
C319	QETB1EM-476	47MF 25V ELECTRO	
C320	QETB1EM-476	47MF 25V ELECTRO	
C323	QCBB1HK-101	100PF 50V CERAMIC	
C324	QCBB1HK-101	100PF 50V CERAMIC	
C326	QCHB1EZ-223	0.022MF 25V CERAMIC	
C329	QCBB1HK-271	270PF 50V CERAMIC	
C330	QCBB1HK-271	270PF 50V CERAMIC	
C331	QCBB1HK-331	330PF 50V CERAMIC	
C332	QCBB1HK-331	330PF 50V CERAMIC	
C333	QCBB1HK-331	330PF 50V CERAMIC	
C334	QCBB1HK-331	330PF 50V CERAMIC	
C335	QCBB1HK-331	330PF 50V CERAMIC	
C336	QCBB1HK-331	330PF 50V CERAMIC	
C337	QCBB1HK-271	270PF 50V CERAMIC	
C338	QCBB1HK-271	270PF 50V CERAMIC	
C339	QCBB1HK-101	100PF 50V CERAMIC	
C340	QCBB1HK-101	100PF 50V CERAMIC	
C341	QCBB1HK-331	330PF 50V CERAMIC	
C342	QCBB1HK-331	330PF 50V CERAMIC	
C343	QCBB1HK-271	270PF 50V CERAMIC	
C344	QCBB1HK-271	270PF 50V CERAMIC	
C345	QCBB1HK-101	100PF 50V CERAMIC	

△ : SAFETY PARTS

Capacitors

ITEM	PART NUMBER	DESCRIPTION	AREA
C346	QCB1HK-101	100PF 50V CERAMIC	
C351	QETB1EM-106	10MF 25V ELECTRO	
C352	QETB1EM-106	10MF 25V ELECTRO	
C353	QETB1HM-475	4.7MF 50V ELECTRO	
C354	QETB1HM-475	4.7MF 50V ELECTRO	
C355	QCHB1EZ-223	0.022MF 25V CERAMIC	
C356	QCHB1EZ-223	0.022MF 25V CERAMIC	
C401	QETB1AM-107	100MF 10V ELECTRO	
C402	QCZ0205-155	1.5MF 25V CERAMIC	
C403	QETB1AM-107	100MF 10V ELECTRO	
C404	QCZ0205-155	1.5MF 25V CERAMIC	
C405	QCB1HK-121	120PF 50V CERAMIC	
C406	QEK51CM-226	22MF 16V ELECTRO	
C407	QCVB1CM-103	0.01MF 16V CERAMIC	
C408	QCSB1HJ-220	22PF 50V CERAMIC	
C410	QCZ0205-155	1.5MF 25V CERAMIC	
C411	QCB1HK-221	220PF 50V CERAMIC	
C412	QFV81HJ-473	0.047MF 50V T.FILM	
C413	QCT26CH-121	120PF 50V CERAMIC	
C414	QCZ0205-155	1.5MF 25V CERAMIC	
C415	QEK51CM-107	100MF 16V ELECTRO	
C416	QCZ0205-155	1.5MF 25V CERAMIC	
C419	QETB1AM-107	100MF 10V ELECTRO	
C420	QETB1EM-476	47MF 25V ELECTRO	
C421	QETB1EM-106	10MF 25V ELECTRO	
C422	QETB1EM-106	10MF 25V ELECTRO	
C423	QETB1EM-106	10MF 25V ELECTRO	
C424	QCB1HK-101	100PF 50V CERAMIC	
C425	QCVB1CM-103	0.01MF 16V CERAMIC	
C426	QCB1HK-221	220PF 50V CERAMIC	
C427	QCGB1HK-102	1000PF 50V CERAMIC	
C428	QCHB1EZ-223	0.022MF 25V CERAMIC	
C429	QCS21HJ-150	15PF 50V CERAMIC	
C430	QCSB1HJ-560	56PF 50V CERAMIC	
C431	QCSB1HJ-390	39PF 50V CERAMIC	
C432	QCGB1HK-102	1000PF 50V CERAMIC	
C433	QCHB1EZ-223	0.022MF 25V CERAMIC	
C434	QER51CM-476	47MF 16V ELECTRO	
C435	QCHB1EZ-223	0.022MF 25V CERAMIC	
C436	QETB1EM-106	10MF 25V ELECTRO	
C437	QETB1HM-474	0.47MF 50V ELECTRO	
C438	QCHB1EZ-223	0.022MF 25V CERAMIC	
C439	QCS21HJ-820	82PF 50V CERAMIC	
C440	QCZ0205-155	1.5MF 25V CERAMIC	
C441	QCZ0205-155	1.5MF 25V CERAMIC	
C442	QCHB1EZ-223	0.022MF 25V CERAMIC	
C443	QETB0JM-477	470MF 6.3V ELECTRO	
C444	QCZ0205-155	1.5MF 25V CERAMIC	
C445	QFV81HJ-473	0.047MF 50V T.FILM	
C446	QETB0JM-477	470MF 6.3V ELECTRO	
C448	QCZ0205-155	1.5MF 25V CERAMIC	
C449	QETB0JM-477	470MF 6.3V ELECTRO	
C451	QFLB1HJ-271	270PF 50V MYLAR	
C452	QFLB1HJ-271	270PF 50V MYLAR	
C453	QFLB1HJ-271	270PF 50V MYLAR	
C454	QFLB1HJ-271	270PF 50V MYLAR	
C455	QCS21HJ-820	82PF 50V CERAMIC	
C456	QCS21HJ-820	82PF 50V CERAMIC	
C457	QCS21HJ-820	82PF 50V CERAMIC	
C458	QCS21HJ-820	82PF 50V CERAMIC	
C459	QFV81HJ-473	0.047MF 50V T.FILM	
C460	QFV81HJ-473	0.047MF 50V T.FILM	
C461	QFN81HJ-392	3900PF 50V MYLAR	
C462	QFN81HJ-392	3900PF 50V MYLAR	
C463	QCS21HJ-331	330PF 50V CERAMIC	
C464	QCS21HJ-331	330PF 50V CERAMIC	
C465	QETB1EM-226	22MF 25V ELECTRO	
C466	QETB1EM-226	22MF 25V ELECTRO	
C467	QFN81HJ-392	3900PF 50V MYLAR	
C468	QFN81HJ-392	3900PF 50V MYLAR	
C471	QFV81HJ-473	0.047MF 50V T.FILM	
C472	QFV81HJ-473	0.047MF 50V T.FILM	
C473	QFV81HJ-473	0.047MF 50V T.FILM	
C474	QFV81HJ-473	0.047MF 50V T.FILM	
C475	QCVB1CM-103	0.01MF 16V CERAMIC	
C476	QCVB1CM-103	0.01MF 16V CERAMIC	
C480	QCHB1EZ-223	0.022MF 25V CERAMIC	
C481	QETB1EM-227	220MF 25V ELECTRO	
C482	QETB0JM-477	470MF 6.3V ELECTRO	
C483	QCHB1EZ-223	0.022MF 25V CERAMIC	
C484	QETB1EM-107	100MF 25V ELECTRO	
C485	QETB1EM-107	100MF 25V ELECTRO	
C490	QCZ0205-155	1.5MF 25V CERAMIC	
C523	QCVB1CM-103	0.01MF 16V CERAMIC	
C566	QETB1EM-476	47MF 25V ELECTRO	
C600	QETB1AM-476	47MF 10V ELECTRO	
C601	QETB1AM-476	47MF 10V ELECTRO	
C602	QETB1AM-476	47MF 10V ELECTRO	
C603	QEN51CM-476	47MF 16V NON POLE	
C604	QCSB1HJ-680	68PF 50V CERAMIC	
C605	QETB1AM-108	1000MF 10V ELECTRO	
C606	QEN51CM-476	47MF 16V NON POLE	
C607	QCSB1HJ-680	68PF 50V CERAMIC	
C608	QETB1AM-108	1000MF 10V ELECTRO	
C609	QETB1CM-108	1000MF 16V ELECTRO	

▲ : SAFETY PARTS

Capacitors

ITEM	PART NUMBER	DESCRIPTION	AREA
C840	QCHB1EZ-223	0.022MF 25V CERAMIC	
C841	QEK51CM-106G	10MF 16V ELECTRO	
C842	QEK51CM-106G	10MF 16V ELECTRO	
C847	QEK51CM-107	100MF 16V ELECTRO	
C848	QEK51CM-106G	10MF 16V ELECTRO	
C849	QEK51CM-107	100MF 16V ELECTRO	
C851	QCSB1HJ-470	47PF 50V CERAMIC	
C852	QCSB1HJ-470	47PF 50V CERAMIC	
C853	QEK51HM-225G	2.2MF 50V ELECTRO	
C854	QEK51HM-225G	2.2MF 50V ELECTRO	
C857	QCVB1CM-332	3300PF 16V CERAMIC	
C858	QCVB1CM-332	3300PF 16V CERAMIC	
C859	QCHB1EZ-223	0.022MF 25V CERAMIC	
C900	QER51HM-105G	1MF 50V ELECTRO	
C901	QCZ0205-155	1.5MF 25V CERAMIC	
C902	QER50JM-107	100MF 6.3V ELECTRO	
C904	QETB1HM-226	22MF 50V ELECTRO	
C931	QCVB1CM-103	0.01MF 16V CERAMIC	
C932	QETB1HM-105	1MF 50V ELECTRO	
C933	QCVB1CM-103	0.01MF 16V CERAMIC	
C934	QCB1HK-471	470PF 50V CERAMIC	
C935	QETB0JM-108	1000MF 6.3V ELECTRO	
C936	QCHB1EZ-223	0.022MF 25V CERAMIC	
C938	QCVB1CM-103	0.01MF 16V CERAMIC	
C939	QCZ0205-155	1.5MF 25V CERAMIC	
C950	QETB1HM-474	0.47MF 50V ELECTRO	
C951	QETB1CM-476	47MF 16V ELECTRO	
C952	QFV81HJ-104	0.1MF 50V T.FILM	
C953	QCGB1HK-102	1000PF 50V CERAMIC	
C954	QETB1HM-474	0.47MF 50V ELECTRO	
C955	QCVB1CM-103	0.01MF 16V CERAMIC	
C956	QETB1AM-107	100MF 10V ELECTRO	
C957	QETB1AM-107	100MF 10V ELECTRO	
C958	QETB1CM-107	100MF 16V ELECTRO	
C959	QCVB1CM-103	0.01MF 16V CERAMIC	
C960	QETB1CM-476	47MF 16V ELECTRO	
C961	QCVB1CM-103	0.01MF 16V CERAMIC	
C962	QCS21HJ-561	560PF 50V CERAMIC	
C963	QCS21HJ-470	47PF 50V CERAMIC	
C964	QETB1EM-106	10MF 25V ELECTRO	
C965	QETB1HM-105	1MF 50V ELECTRO	
C967	QCB1HK-561	560PF 50V CERAMIC	

▲ : SAFETY PARTS

Resistors

ITEM	PART NUMBER	DESCRIPTION	AREA
R301	QRD167J-222	2.2K 1/6W CARBON	
R302	QRD167J-222	2.2K 1/6W CARBON	
R303	QRD167J-473	47K 1/6W CARBON	
R304	QRD167J-473	47K 1/6W CARBON	
R305	QRD167J-102	1K 1/6W CARBON	
R306	QRD167J-102	1K 1/6W CARBON	
R307	QRD167J-393	39K 1/6W CARBON	
R308	QRD167J-393	39K 1/6W CARBON	
R309	QRD167J-474	470K 1/6W CARBON	
R310	QRD167J-474	470K 1/6W CARBON	
R311	QRD167J-104	100K 1/6W CARBON	
R312	QRD167J-104	100K 1/6W CARBON	
R313	QRD167J-153	15K 1/6W CARBON	
R314	QRD167J-153	15K 1/6W CARBON	
R315	QRD167J-104	100K 1/6W CARBON	
R316	QRD167J-104	100K 1/6W CARBON	
R317	QRD167J-153	15K 1/6W CARBON	
R318	QRD167J-153	15K 1/6W CARBON	
R319	QRD167J-104	100K 1/6W CARBON	
R320	QRD167J-104	100K 1/6W CARBON	
R321	QRD167J-153	15K 1/6W CARBON	
R322	QRD167J-153	15K 1/6W CARBON	
R323	QRD167J-104	100K 1/6W CARBON	
R324	QRD167J-104	100K 1/6W CARBON	
R325	QRD167J-471	470 1/6W CARBON	
R326	QRD167J-471	470 1/6W CARBON	
R327	QRD167J-153	15K 1/6W CARBON	
R328	QRD167J-153	15K 1/6W CARBON	
R329	QRD167J-104	100K 1/6W CARBON	
R330	QRD167J-104	100K 1/6W CARBON	
R331	QRD167J-471	470 1/6W CARBON	
R332	QRD167J-471	470 1/6W CARBON	
R333	QRD167J-104	100K 1/6W CARBON	
R334	QRD167J-104	100K 1/6W CARBON	
R335	QRD167J-104	100K 1/6W CARBON	
R336	QRD167J-104	100K 1/6W CARBON	
R341	QRD167J-681	680 1/6W CARBON	
R342	QRD167J-681	680 1/6W CARBON	
R343	QRZ0077-680	68 1/4W FUSIBLE	
R344	QRZ0077-680	68 1/4W FUSIBLE	
R347	QRD167J-102	1K 1/6W CARBON	
R348	QRD167J-102	1K 1/6W CARBON	
R351	QRD167J-101	100 1/6W CARBON	
R352	QRD167J-101	100 1/6W CARBON	
R353	QRD167J-102	1K 1/6W CARBON	

▲ : SAFETY PARTS

Resistors

ITEM	PART NUMBER	DESCRIPTION	AREA
R354	QRD167J-102	1K 1/6W CARBON	
R361	QRD167J-122	1.2K 1/6W CARBON	
R362	QRD167J-122	1.2K 1/6W CARBON	
R401	QRD167J-820	82 1/6W CARBON	
R402	QRD167J-221	220 1/6W CARBON	
R403	QRD167J-472	4.7K 1/6W CARBON	
R404	QRD167J-183	18K 1/6W CARBON	
R405	QRD167J-100	10 1/6W CARBON	
R407	QRD167J-820	82 1/6W CARBON	
R408	QRD167J-301	300 1/6W CARBON	
R409	QRD167J-203	20K 1/6W CARBON	
R410	QRD167J-751	750 1/6W CARBON	
R411	QRD167J-751	750 1/6W CARBON	
R412	QRD167J-751	750 1/6W CARBON	
R413	QRD167J-104	100K 1/6W CARBON	
R414	QRD167J-122	1.2K 1/6W CARBON	
R415	QRD167J-181	180 1/6W CARBON	
R416	QRD167J-181	180 1/6W CARBON	
R417	QRD167J-181	180 1/6W CARBON	
R418	QRD167J-332	3.3K 1/6W CARBON	
R419	QRD167J-103	10K 1/6W CARBON	
R420	QRD167J-222	2.2K 1/6W CARBON	
R421	QRD167J-103	10K 1/6W CARBON	
R422	QRD167J-103	10K 1/6W CARBON	
R423	QRD167J-103	10K 1/6W CARBON	
R424	QRD167J-105	1M 1/6W CARBON	
R425	QRD167J-101	100 1/6W CARBON	
R426	QRD167J-470	47 1/6W CARBON	
R427	QRD167J-102	1K 1/6W CARBON	
R429	QRD167J-223	22K 1/6W CARBON	
R430	QRD167J-103	10K 1/6W CARBON	
R431	QRD167J-103	10K 1/6W CARBON	
R433	QRD167J-103	10K 1/6W CARBON	
R434	QRD167J-561	560 1/6W CARBON	
R435	QRD167J-102	1K 1/6W CARBON	
R436	QRD167J-101	100 1/6W CARBON	
R437	QRD167J-103	10K 1/6W CARBON	
R438	QRD167J-102	1K 1/6W CARBON	
R440	QRZ0077-4R7	4.7 1/4W FUSIBLE	
R441	QRZ0077-4R7	4.7 1/4W FUSIBLE	
R442	QRZ0077-4R7	4.7 1/4W FUSIBLE	
R443	QRZ0077-4R7	4.7 1/4W FUSIBLE	
R444	QRZ0077-4R7	4.7 1/4W FUSIBLE	
R445	QRD167J-101	100 1/6W CARBON	
R446	QRD167J-101	100 1/6W CARBON	
R447	QRD167J-101	100 1/6W CARBON	
R448	QRD167J-101	100 1/6W CARBON	
R450	QRD167J-151	150 1/6W CARBON	
R451	QRV144F-1802	18K 1/4W M.FILM	
R452	QRV144F-1802	18K 1/4W M.FILM	
R453	QRV144F-1802	18K 1/4W M.FILM	
R454	QRV144F-1802	18K 1/4W M.FILM	
R455	QRV144F-1802	18K 1/4W M.FILM	
R456	QRV144F-1802	18K 1/4W M.FILM	
R457	QRV144F-1802	18K 1/4W M.FILM	
R458	QRV144F-1802	18K 1/4W M.FILM	
R459	QRV144F-2702	27K 1/4W M.FILM	
R460	QRV144F-2702	27K 1/4W M.FILM	
R461	QRV144F-2702	27K 1/4W M.FILM	
R462	QRV144F-2702	27K 1/4W M.FILM	
R463	QRV144F-3902A	39K 1/4W M.FILM	
R464	QRV144F-3902A	39K 1/4W M.FILM	
R465	QRV144F-3902A	39K 1/4W M.FILM	
R466	QRV144F-3902A	39K 1/4W M.FILM	
R467	QRD167J-102	1K 1/6W CARBON	
R468	QRD167J-102	1K 1/6W CARBON	
R469	QRD167J-331	330 1/6W CARBON	
R470	QRD167J-331	330 1/6W CARBON	
R471	QRD167J-474	470K 1/6W CARBON	
R472	QRD167J-474	470K 1/6W CARBON	
R473	QRD167J-302	3K 1/6W CARBON	
R474	QRD167J-302	3K 1/6W CARBON	
R475	QRD167J-512	5.1K 1/6W CARBON	
R476	QRD167J-512	5.1K 1/6W CARBON	
R477	QRD167J-182	1.8K 1/6W CARBON	
R478	QRD167J-182	1.8K 1/6W CARBON	
R479	QRD167J-101	100 1/6W CARBON	
R480	QRD167J-101	100 1/6W CARBON	
R481	QRD167J-392	3.9K 1/6W CARBON	
R482	QRD167J-392	3.9K 1/6W CARBON	
R483	QRD167J-821	820 1/6W CARBON	
R484	QRD167J-821	820 1/6W CARBON	
R485	QRD167J-561	560 1/6W CARBON	
R486	QRD167J-561	560 1/6W CARBON	
R487	QRD167J-331	330 1/6W CARBON	
R488	QRD167J-331	330 1/6W CARBON	
R489	QRD167J-103	10K 1/6W CARBON	
R490	QRD167J-103	10K 1/6W CARBON	
R491	QRD167J-103	10K 1/6W CARBON	
R492	QRD167J-103	10K 1/6W CARBON	

△ : SAFETY PARTS

Resistors

ITEM	PART NUMBER	DESCRIPTION	AREA
R493	QRD167J-104	100K 1/6W CARBON	
R494	QRD167J-104	100K 1/6W CARBON	
R496	QRD167J-105	1M 1/6W CARBON	
R497	QRD167J-105	1M 1/6W CARBON	
R600	QRD167J-750	75 1/6W CARBON	
R601	QRD167J-100	10 1/6W CARBON	
R602	QRD167J-750	75 1/6W CARBON	
R603	QRD167J-100	10 1/6W CARBON	
R604	QRD167J-750	75 1/6W CARBON	
R605	QRD167J-100	10 1/6W CARBON	
R606	QRD167J-222	2.2K 1/6W CARBON	
R607	QRD167J-682	6.8K 1/6W CARBON	
R608	QRD167J-113	11K 1/6W CARBON	
R609	QRD167J-121	120 1/6W CARBON	
R610	QRD167J-431	430 1/6W CARBON	
R611	QRD167J-121	120 1/6W CARBON	
R612	QRD167J-750	75 1/6W CARBON	
R613	QRD167J-473	47K 1/6W CARBON	
R614	QRD167J-750	75 1/6W CARBON	
R615	QRD167J-473	47K 1/6W CARBON	
R616	QRD167J-682	6.8K 1/6W CARBON	
R621	QRD167J-222	2.2K 1/6W CARBON	
R625	QRD14CJ-100S	10 1/4W UNF. CARBON	
R629	QRD167J-113	11K 1/6W CARBON	
R638	QRD167J-431	430 1/6W CARBON	
R639	QRD167J-121	120 1/6W CARBON	
R642	QRD167J-121	120 1/6W CARBON	
R652	QRD167J-222	2.2K 1/6W CARBON	
R653	QRD167J-222	2.2K 1/6W CARBON	
R680	QRD167J-471	470 1/6W CARBON	
R681	QRD167J-471	470 1/6W CARBON	
R703	QRD167J-102	1K 1/6W CARBON	
R875	QRD167J-470	47 1/6W CARBON	
R876	QRD167J-470	47 1/6W CARBON	
R879	QRD167J-302	3K 1/6W CARBON	
R880	QRD167J-302	3K 1/6W CARBON	
R881	QRD167J-122	1.2K 1/6W CARBON	
R882	QRD167J-391	390 1/6W CARBON	
R885	QRD167J-162	1.6K 1/6W CARBON	
R886	QRD167J-162	1.6K 1/6W CARBON	
R887	QRD167J-513	51K 1/6W CARBON	
R888	QRD167J-474	470K 1/6W CARBON	
R900	QRD167J-104	100K 1/6W CARBON	
R901	QRD167J-103	10K 1/6W CARBON	
R902	QRD167J-103	10K 1/6W CARBON	
R903	QRD167J-103	10K 1/6W CARBON	
R904	QRD167J-103	10K 1/6W CARBON	
R905	QRD167J-471	470 1/6W CARBON	
R906	QRD167J-331	330 1/6W CARBON	
R907	QRD167J-471	470 1/6W CARBON	
R908	QRD167J-331	330 1/6W CARBON	
R909	QRD167J-102	1K 1/6W CARBON	
R910	QRD167J-471	470 1/6W CARBON	
R911	QRD167J-471	470 1/6W CARBON	
R912	QRD167J-103	10K 1/6W CARBON	
R913	QRD167J-390	39 1/6W CARBON	
R914	QRD167J-103	10K 1/6W CARBON	
R915	QRD167J-103	10K 1/6W CARBON	
R916	QRD167J-473	47K 1/6W CARBON	
R917	QRD167J-102	1K 1/6W CARBON	
R930	QRD167J-222	2.2K 1/6W CARBON	
R931	QRD167J-472	4.7K 1/6W CARBON	
R932	QRD167J-332	3.3K 1/6W CARBON	
R933	QRD167J-103	10K 1/6W CARBON	
R935	QRD167J-103	10K 1/6W CARBON	
R936	QRD167J-103	10K 1/6W CARBON	
R939	QRD167J-221	220 1/6W CARBON	
R940	QRD167J-101	100 1/6W CARBON	
R941	QRD167J-562	5.6K 1/6W CARBON	
R943	QRD167J-103	10K 1/6W CARBON	
R944	QRD167J-103	10K 1/6W CARBON	
R945	QRD167J-103	10K 1/6W CARBON	
R947	QRD167J-223	22K 1/6W CARBON	
R948	QRD167J-473	47K 1/6W CARBON	
R949	QRD167J-104	100K 1/6W CARBON	
R950	QRD167J-224	220K 1/6W CARBON	
R951	QRD167J-562	5.6K 1/6W CARBON	
R952	QRD167J-103	10K 1/6W CARBON	
R953	QRD167J-473	47K 1/6W CARBON	
R954	QRD167J-104	100K 1/6W CARBON	
R955	QRD167J-152	1.5K 1/6W CARBON	
R956	QRD167J-102	1K 1/6W CARBON	
R958	QRD167J-102	1K 1/6W CARBON	
R959	QRD167J-102	1K 1/6W CARBON	
R960	QRD167J-102	1K 1/6W CARBON	
R962	QRD167J-273	27K 1/6W CARBON	
R963	QRD167J-223	22K 1/6W CARBON	
R964	QRD167J-222	2.2K 1/6W CARBON	
R965	QRD167J-222	2.2K 1/6W CARBON	
R966	QRD167J-222	2.2K 1/6W CARBON	

△ : SAFETY PARTS

Resistors

△	ITEM	PART NUMBER	DESCRIPTION	AREA
	R967	QRD167J-103	10K 1/6W CARBON	
	R968	QRD167J-153	15K 1/6W CARBON	
	R969	QRD167J-105	1M 1/6W CARBON	
	R970	QRD167J-273	27K 1/6W CARBON	
	R973	QRD167J-102	1K 1/6W CARBON	
	R976	QRD167J-241	240 1/6W CARBON	
	RA930	QRB069J-103	10K 1/10W R.NETWORK	
	VR701	QVDC91Z-E01B	VARIABLE	
	VR801	QVJB81B-E54B	VARIABLE	
	VR802	QVGA81W-E15B	100K VARIABLE	
	VR803	QVGB81B-E14B	10K VARIABLE	
	VR804	QVGA81W-E15B	100K VARIABLE	

△ : SAFETY PARTS

Others

△	ITEM	PART NUMBER	DESCRIPTION	AREA
		EMW10136-002	CIRCUIT BOARD	
		E307184-001	FL DISPLAY TUBE HOLDER	
		E307247-001	L.E.D.HOLDER	
		E33754-001	TIE BAND	
		E3400-431	SPACER	
	J301	EMN00TV-209A	2P PIN JACK(PHONO,VIDEO1)	
	J302	EMN00TV-608A	6P PIN JACK(VIDEO2/VDP,TV)	
	J303	EMN00TV-608A	6P PIN JACK	
	J401	EMN00YV-212A	2P PIN JACK(DAT IN/OUT)	
	J402	TORX174	I.C(OPTICAL JACK)(CD)	
	J403	TORX174	I.C(OPTICAL JACK)(VDP)	
	J601	EMN00YV-211A	2P PIN JACK(VIDEO1,VIDEO2/VDP)	
	J602	EMN00YV-311A	3P PIN JACK(VCR PLAY,VCR REC,MONITOR)	
	J703	EMV7122-103	CONNECTOR(3PIN)	
	J804	QMS6R10-E71H	HEADPHONE JACK	
	J851	QMS6R10-E31H	HEADPHONE JACK(MIC)	
	K401	ENZ8101-007	INDUCTOR	
	K900	ENZ8101-007	INDUCTOR	
	K901	ENZ8101-007	INDUCTOR	
	K902	ENZ8101-007	INDUCTOR	
	K903	ENZ8101-007	INDUCTOR	
	L401	EQL4004-560	INDUCTOR	
	L402	EQL4004-560	INDUCTOR	
	L404	EQL4008-1R2	INDUCTOR	
	L405	EQL4004-1R0	INDUCTOR	
	L406	EQL4004-560	INDUCTOR	
	L515	EQL4004-221	INDUCTOR	
	L516	EQL4004-221	INDUCTOR	
	P704	EMV5109-006A	PLUG ASSY(6PIN)	
	P900	EMV5103-002A	PLUG ASSY(2PIN)	
	P905	EMV5109-009A	PLUG ASSY(9PIN)	
	P907	EMV5109-003A	PLUG ASSY(3PIN)	
	P908	EMV5109-003A	PLUG ASSY(3PIN)	
	S900	ESPO001-018	TACT SWITCH(POWER)	
	S901	ESPO001-018	TACT SWITCH(TAPE)	
	S902	ESPO001-018	TACT SWITCH(PHONO)	
	S903	ESPO001-018	TACT SWITCH(TUNER)	
	S904	ESPO001-018	TACT SWITCH(DIGITAL)	
	S905	ESPO001-018	TACT SWITCH(CD)	
	S906	ESPO001-018	TACT SWITCH(DAT)	
	S907	ESPO001-018	TACT SWITCH(TV)	
	S908	ESPO001-018	TACT SWITCH(VIDEO1)	
	S909	ESPO001-018	TACT SWITCH(VIDEO2/VDP)	
	S910	ESPO001-018	TACT SWITCH(VCR)	
	S911	ESPO001-018	TACT SWITCH(D.DIRECT)	
	S912	ESPO001-018	TACT SWITCH(DISPLAY)	
	S913	ESPO001-018	TACT SWITCH(DEMO)	
	S914	ESPO001-018	TACT SWITCH(LEARNING CSR)	
	S915	ESPO001-018	TACT SWITCH(MODE)	
	S916	ESPO001-018	TACT SWITCH(DAP ON/OFF)	
	S917	ESPO001-018	TACT SWITCH(PRESET)	
	S918	ESPO001-018	TACT SWITCH(SEA ON/OFF)	
	S919	ESPO001-018	TACT SWITCH(DAP -)	
	S920	ESPO001-018	TACT SWITCH(DAP +)	
	S921	ESPO001-018	TACT SWITCH(FREQ SELECT)	
	S922	ESPO001-018	TACT SWITCH(MEMORY)	
	S923	ESPO001-018	TACT SWITCH(f ◀)	
	S924	ESPO001-018	TACT SWITCH(f ▶)	
	S925	ESPO001-018	TACT SWITCH(LEVER -)	
	S926	ESPO001-018	TACT SWITCH(LEVER +)	
	BC700	EWS990-010	SOCKET WIRE(6PIN)	
	BC701	EWS990-009	SOCKET WIRE(9PIN)	
	BC704	EWS990-010	SOCKET WIRE(6PIN)	
	BC801	EWS990-008	SOCKET WIRE(3PIN)	
	BC900	EMV5103-002B	PLUG ASSY(2PIN)	
	BC905	EWS259-A007	SOCKET WIRE(9PIN)	
	BC907	EWS293-0126	SOCKET WIRE(3PIN)	
	FL900	ELU0001-125	FL TUBE	
	FS900	E3400-445	FELT SPACER	
	FS901	E3400-445	FELT SPACER	
	FW301	EWR33B-16SST	FLAT WIRE(3PIN)	
	FW302	EWR33B-13SST	FLAT WIRE(3PIN)	
	FW303	EWR33B-13SST	FLAT WIRE(3PIN)	
	FW703	EWR33B-13LST	FLAT WIRE(3PIN)	
	FW802	EWR35B-40LST	FLAT WIRE(5PIN)	

△ : SAFETY PARTS

Others

△	ITEM	PART NUMBER	DESCRIPTION	AREA
	FW803	EWR34B-20LST	FLAT WIRE(4PIN)	
	FW804	EWR33B-08SST	FLAT WIRE(3PIN)	
	FW805	EWR23C-40LN	FLAT WIRE(3PIN)	
	FW900	EWR37B-08SST	FLAT WIRE(7PIN)	
	FW901	EWR37B-08SST	FLAT WIRE(7PIN)	
	FW902	EWR34B-10SST	FLAT WIRE(4PIN)	
	FW903	EWR35B-08SST	FLAT WIRE(4PIN)	
	FW904	EWR37B-08SST	FLAT WIRE(7PIN)	
	FW908	EWR36B-16SST	FLAT WIRE(6PIN)	
	FW930	EWR36B-10SST	FLAT WIRE(6PIN)	
	JA301	EMV7125-009R	CONNECTOR(9PIN)	
	JA302	EMV7125-011R	CONNECTOR(11PIN)	
	JA401	EMV7125-009R	CONNECTOR(9PIN)	
	JA509	EMV7125-005R	CONNECTOR(5PIN)	
	JA900	EMV7123-040	CONNECTOR(40PIN)	
	WT001	EWTO31-026	TERMINAL WIRE	
	XT900	ECX0060-000EM	RESONATOR	
	XT930	ECX0060-000EM	RESONATOR	

△ : SAFETY PARTS

■ ENP-037 □ DSP PC Board Ass'y

Note : ENP-037 □ varies according to the areas employed.
See note (1) when placing an order.

Note (1)

PC Board Ass'y	Designated Areas
ENP-037 <input type="checkbox"/>	Continental Europe the U.K.
ENP-037 <input type="checkbox"/>	Germany

Transistors

△ ITEM	PART NUMBER	DESCRIPTION	AREA
Q652	2SD2144S(VW)	SILICON ROHM	
Q653	2SD2144S(VW)	SILICON ROHM	
Q656	2SD2144S(VW)	SILICON ROHM	
Q657	2SD2144S(VW)	SILICON ROHM	
Q658	DTA114YS	SILICON ROHM	
Q667	DTA144ES	SILICON ROHM	

△ : SAFETY PARTS

I.C.s

△ ITEM	PART NUMBER	DESCRIPTION	AREA
IC650	MN17581JNR	I.C. MATSUSHITA	
IC651	LC83010N	I.C. SANYO	
IC652	MB81464-12PSZ	I.C. FUJITSU	
IC653	MB81464-12PSZ	I.C. FUJITSU	
IC654	C55339-KP	I.C. ASAHI KASEI	
IC655	SM5818AS1	I.C. KANEMATSU	
IC656	SM5807FS	I.C. KANEMATSU	
IC657	PCM1700U	I.C. NIHONBARBURAUN	
IC658	UPD6376GS	I.C. NEC	
IC659	LH535949	I.C. SHARP	
IC660	BA15218N	I.C. ROHM	
IC661	VC4580L	I.C. DAINICHI	
IC663	VC4580L	I.C. DAINICHI	
IC665	NJM79M05FA	I.C. DAINICHI	
IC666	NJM78M05FD	I.C. DAINICHI	
IC667	NJM78M05FD	I.C. DAINICHI	
IC668	NJM78M05FD	I.C. DAINICHI	

△ : SAFETY PARTS

Diodes

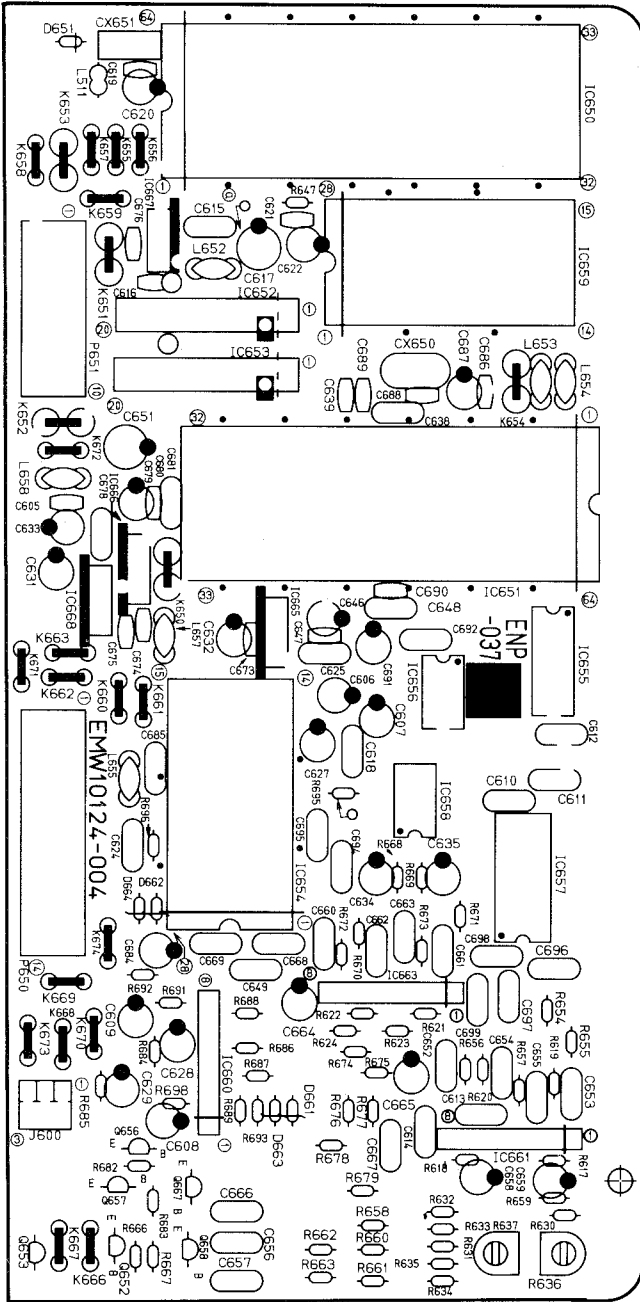
△ ITEM	PART NUMBER	DESCRIPTION	AREA
D651	1SS133	SILICON ROHM	
D661	MTZ4.7JB	ZENER ROHM	
D662	MTZ4.7JB	ZENER ROHM	
D663	MTZ4.7JB	ZENER ROHM	
D664	MTZ4.7JB	ZENER ROHM	

△ : SAFETY PARTS

Capacitors

△ ITEM	PART NUMBER	DESCRIPTION	AREA
C605	QCHB1EZ-223	0.022MF 25V CERAMIC	
C606	QETB1EM-476	47MF 25V ELECTRO	
C607	QETB1EM-476	47MF 25V ELECTRO	
C608	QETB1HM-475	4.7MF 50V ELECTRO	
C609	QETB1HM-475	4.7MF 50V ELECTRO	
C610	QFV81HJ-104	0.1MF 50V T.FILM	
C611	QFV81HJ-104	0.1MF 50V T.FILM	
C612	QFV81HJ-104	0.1MF 50V T.FILM	
C613	QFV81HJ-104	0.1MF 50V T.FILM	
C614	QFV81HJ-104	0.1MF 50V T.FILM	
C615	QFV81HJ-104	0.1MF 50V T.FILM	
C616	QCGB1HK-102	1000PF 50V CERAMIC	
C617	QETB1AM-227	220MF 10V ELECTRO	
C618	QFV81HJ-104	0.1MF 50V T.FILM	
C619	QCGB1HK-102	1000PF 50V CERAMIC	
C620	QETB1AM-107	100MF 10V ELECTRO	
C621	QCGB1HK-102	1000PF 50V CERAMIC	
C622	QETB1AM-107	100MF 10V ELECTRO	
C624	QCZ0205-155	1.5MF 25V CERAMIC	
C625	QFV81HJ-104	0.1MF 50V T.FILM	
C627	QETB1EM-106	10MF 25V ELECTRO	
C628	QETB1EM-106	10MF 25V ELECTRO	
C629	QETB1EM-106	10MF 25V ELECTRO	
C631	EEZ5009-474	0.47MF ELECTRO	
C632	EEZ5009-474	0.47MF ELECTRO	
C633	QEB1AM-107	100MF 10V ELECTRO	
C634	QETB1EM-106	10MF 25V ELECTRO	
C635	QETB1EM-106	10MF 25V ELECTRO	
C638	QFV81HJ-104	0.1MF 50V T.FILM	
C639	QCSB1HJ-680	68PF 50V CERAMIC	
C646	QETB1AM-107	100MF 10V ELECTRO	
C647	QCHB1EZ-223	0.022MF 25V CERAMIC	
C648	QFV81HJ-104	0.1MF 50V T.FILM	
C649	QCZ0205-155	1.5MF 25V CERAMIC	
C651	EETB1CM-107E	100MF 16V ELECTRO	

△ : SAFETY PARTS



Capacitors

△	ITEM	PART NUMBER	DESCRIPTION			AREA
	C652	QFN81HJ-103	0.01MF	50V	MYLAR	
	C653	QFN81HJ-103	0.01MF	50V	MYLAR	
	C654	QFN81HJ-222	2200PF	50V	MYLAR	
	C655	QFN81HJ-222	2200PF	50V	MYLAR	
	C656	QFN81HJ-223	0.022MF	50V	MYLAR	
	C657	QFN81HJ-223	0.022MF	50V	MYLAR	
	C658	QETB1HM-226	22MF	50V	ELECTRO	
	C659	QETB1HM-226	22MF	50V	ELECTRO	
	C660	QFN81HJ-103	0.01MF	50V	MYLAR	
	C661	QFN81HJ-103	0.01MF	50V	MYLAR	
	C662	QFN81HJ-222	2200PF	50V	MYLAR	
	C663	QFN81HJ-222	2200PF	50V	MYLAR	
	C664	QETB1EM-226	22MF	25V	ELECTRO	
	C665	QETB1EM-226	22MF	25V	ELECTRO	
	C666	QFN81HJ-223	0.022MF	50V	MYLAR	
	C667	QFN81HJ-223	0.022MF	50V	MYLAR	
	C668	QFN81HJ-103	0.01MF	50V	MYLAR	
	C669	QFN81HJ-103	0.01MF	50V	MYLAR	
	C673	QCHB1EZ-223	0.022MF	25V	CERAMIC	
	C674	QCHB1EZ-223	0.022MF	25V	CERAMIC	
	C675	QCHB1EZ-223	0.022MF	25V	CERAMIC	
	C676	QCHB1EZ-223	0.022MF	25V	CERAMIC	
	C678	QFV81HJ-104	0.1MF	50V	T.FILM	
	C679	QEHB1AM-107	100MF	10V	ELECTRO	
	C680	QCHB1EZ-223	0.022MF	25V	CERAMIC	
	C681	QFV81HJ-104	0.1MF	50V	T.FILM	
	C684	QETB1EM-106	10MF	25V	ELECTRO	
	C685	QCZ0205-155	1.5MF	25V	CERAMIC	
	C686	QCGB1HK-102	1000PF	50V	CERAMIC	
	C687	QETB1AM-107	100MF	10V	ELECTRO	
	C688	QCT30CH-180	18PF	50V	CERAMIC	
	C689	QCT30CH-180	18PF	50V	CERAMIC	
	C690	QCGB1HK-102	1000PF	50V	CERAMIC	
	C691	QETB1AM-107	100MF	10V	ELECTRO	
	C692	QCZ0205-155	1.5MF	25V	CERAMIC	
	C694	QCZ0205-155	1.5MF	25V	CERAMIC	
	C695	QCZ0205-155	1.5MF	25V	CERAMIC	
	C696	QFV81HJ-104	0.1MF	50V	T.FILM	
	C697	QFV81HJ-104	0.1MF	50V	T.FILM	
	C698	QFV81HJ-104	0.1MF	50V	T.FILM	
	C699	QFV81HJ-104	0.1MF	50V	T.FILM	

△ (SAFETY) PARTS

Resistors

△	ITEM	PART NUMBER	DESCRIPTION			AREA
	R617	QRD167J-621	620	1/6W	CARBON	
	R618	QRD167J-621	620	1/6W	CARBON	
	R619	QRD167J-821	820	1/6W	CARBON	
	R620	QRD167J-821	820	1/6W	CARBON	
	R621	QRD167J-183	18K	1/6W	CARBON	
	R622	QRD167J-183	18K	1/6W	CARBON	
	R623	QRD167J-821	820	1/6W	CARBON	
	R624	QRD167J-821	820	1/6W	CARBON	
	R630	QRD167J-184	180K	1/6W	CARBON	
	R631	QRD167J-184	180K	1/6W	CARBON	
	R632	QRD167J-102	1K	1/6W	CARBON	
	R633	QRD167J-102	1K	1/6W	CARBON	
	R634	QRD167J-102	1K	1/6W	CARBON	
	R635	QRD167J-102	1K	1/6W	CARBON	
	R636	QVPA601-104A	100K		VARIABLE	
	R637	QVPA601-104A	100K		VARIABLE	
	R647	QRD167J-103	10K	1/6W	CARBON	
	R654	QRD167J-821	820	1/6W	CARBON	
	R655	QRD167J-821	820	1/6W	CARBON	
	R656	QRD167J-821	820	1/6W	CARBON	
	R657	QRD167J-821	820	1/6W	CARBON	
	R658	QRD167J-273	27K	1/6W	CARBON	
	R659	QRD167J-273	27K	1/6W	CARBON	
	R660	QRD167J-271	270	1/6W	CARBON	
	R661	QRD167J-271	270	1/6W	CARBON	
	R662	QRD167J-271	270	1/6W	CARBON	
	R663	QRD167J-271	270	1/6W	CARBON	
	R666	QRD167J-103	10K	1/6W	CARBON	
	R667	QRD167J-103	10K	1/6W	CARBON	
	R668	QRD167J-104	100K	1/6W	CARBON	
	R669	QRD167J-104	100K	1/6W	CARBON	
	R670	QRD167J-821	820	1/6W	CARBON	
	R671	QRD167J-821	820	1/6W	CARBON	
	R672	QRD167J-821	820	1/6W	CARBON	
	R673	QRD167J-821	820	1/6W	CARBON	
	R674	QRD167J-273	27K	1/6W	CARBON	
	R675	QRD167J-273	27K	1/6W	CARBON	
	R676	QRD167J-391	390	1/6W	CARBON	
	R677	QRD167J-391	390	1/6W	CARBON	
	R678	QRD167J-181	180	1/6W	CARBON	
	R679	QRD167J-181	180	1/6W	CARBON	
	R682	QRD167J-103	10K	1/6W	CARBON	
	R683	QRD167J-103	10K	1/6W	CARBON	
	R684	QRD167J-221	220	1/6W	CARBON	
	R685	QRD167J-221	220	1/6W	CARBON	

△ (SAFETY) PARTS

Resistors

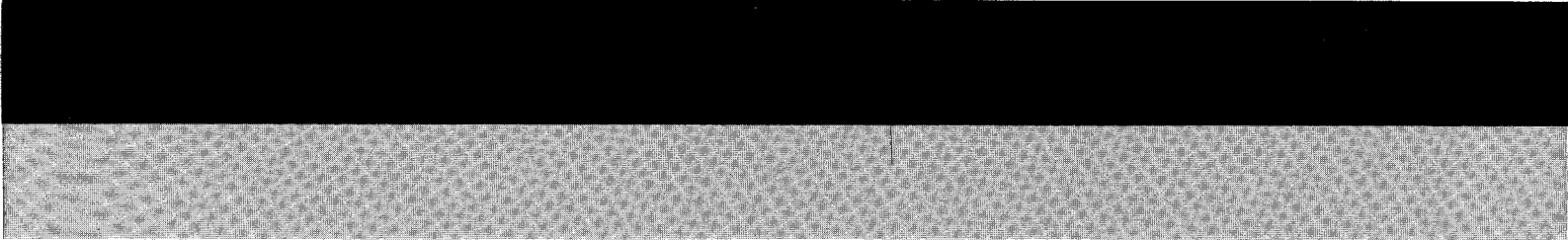
△	ITEM	PART NUMBER	DESCRIPTION			AREA
	R686	QRD167J-473	47K	1/6W	CARBON	
	R687	QRD167J-473	47K	1/6W	CARBON	
	R688	QRD167J-473	47K	1/6W	CARBON	
	R689	QRD167J-473	47K	1/6W	CARBON	
	R690	QRD167J-273	27K	1/6W	CARBON	
	R691	QRD167J-273	27K	1/6W	CARBON	
	R692	QRD167J-221	220	1/6W	CARBON	
	R693	QRD167J-221	220	1/6W	CARBON	
	R695	QRD167J-103	10K	1/6W	CARBON	
	R696	QRD167J-100	10	1/6W	CARBON	

△ (SAFETY) PARTS

Others

△	ITEM	PART NUMBER	DESCRIPTION			AREA
		EMW10124-004(S)	CIRCUIT BOARD			
	K650	ENZ8101-007	INDUCTOR			
	K651	ENZ8101-007	INDUCTOR			
	K652	ENZ8101-007	INDUCTOR			
	K653	ENZ8101-007	INDUCTOR			
	K654	ENZ8101-007	INDUCTOR			
	K655	ENZ8101-016	INDUCTOR			
	K656	ENZ8101-016	INDUCTOR			
	K657	ENZ8101-016	INDUCTOR			
	K658	ENZ8101-016	INDUCTOR			
	K659	ENZ8101-016	INDUCTOR			
	K660	ENZ8101-016	INDUCTOR			
	K661	ENZ8101-016	INDUCTOR			
	K662	ENZ8101-016	INDUCTOR			
	K663	ENZ8101-016	INDUCTOR			
	K666	ENZ8101-016	INDUCTOR			
	K667	ENZ8101-016	INDUCTOR			
	K668	ENZ8101-016	INDUCTOR			
	K669	ENZ8101-016	INDUCTOR			
	K670	ENZ8101-016	INDUCTOR			
	K671	ENZ8101-016	INDUCTOR			
	K672	ENZ8101-016	INDUCTOR			
	K673	ENZ8101-016	INDUCTOR			
	K674	ENZ8101-016	INDUCTOR			
	L511	EQL4004-R22	INDUCTOR			
	L652	EQF0601-222	CERAMIC FILTER			
	L653	EQF0601-222	CERAMIC FILTER			
	L654	EQF0601-222	CERAMIC FILTER			
	L655	EQF0601-222	CERAMIC FILTER			
	L657	EQF0601-222	CERAMIC FILTER			
	L658	EQF0601-222	CERAMIC FILTER			
	P650	EMV7125-014R	CONNECTOR (14PIN)			
	P651	EMV7125-010R	CONNECTOR (10PIN)			
	CX650	ECX0180-000EF	RESONATOR			
	CX651	ECX0072-000EM	RESONATOR			

△ (SAFETY) PARTS



JVC

VICTOR COMPANY OF JAPAN, LIMITED

AUDIO PRODUCTS DIVISION, 1644, SHIMOTSURUMA, YAMATO-SHI, KANAGAWA-KEN, 242, JAPAN